

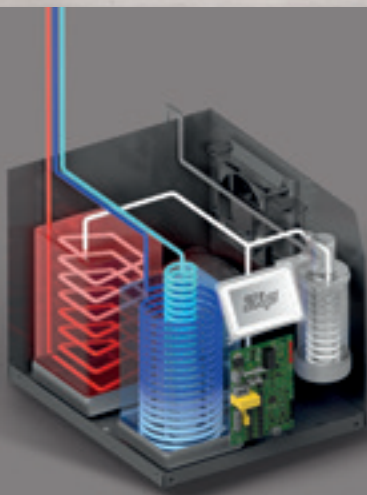


It's water. Refreshed.

Zip Water

The world's most advanced range of drinking water solutions

For work and for home





Left: Zip HydroTap Arc in rose gold
Above: Zip HydroTap Arc in brushed rose gold

The Zip drinking water range



HydroTap Design range

Stand alone boiling, chilled and sparkling water tap (no mixer)

Arc, Cube, Elite 28

HydroTap Classic range

HydroTap Classic 34

HydroTap Industrial 36
Top Touch, Side Touch

Boiling, chilled and sparkling water combined with mixer tap

HydroTap Classic All-in-One 38



HydroTap Celsius range

Boiling, chilled and sparkling water combined with mixer tap

HydroTap All-in-One Celsius Arc 42

HydroTap Celsius Arc 44

HydroTap Celsius Cube 46

Consumables and accessories

Mixer Taps 48

HydroTap filters and CO₂ 52



HydroChill range

High capacity chilled and sparkling water

HydroChill Counter-Top HC10 62

HydroChill Counter-Top HC20 64

HydroChill Under-Counter HC50 66

Consumables and accessories

HydroChill glassware 69

Consumables and accessories 70



Hydroboil range

On-wall boiling water

Hydroboil Plus 72

Hydroboil 72

Econoboil 72



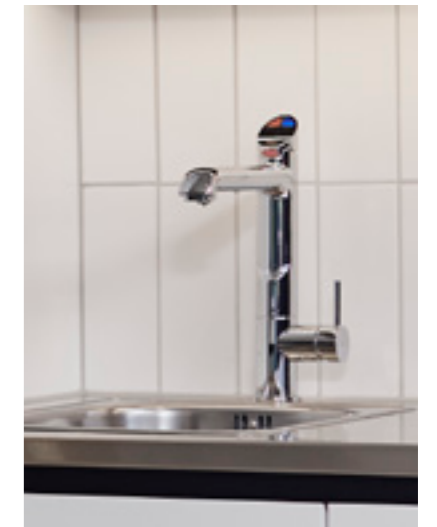
ChillTap and FilterTap

Chilled and filtered water

ChillTap Extra 74

ChillTap 74

FilterTap 74



Technical and service

Warranty 76

HydroCare 77

Book your CPD 78

Sectors 80

Case studies 84

Specification Portal 88

Technical data 90



Zip HydroTap All-in-One Classic in matt black finish
Thomas House, The Office Group

70 years of innovation

With unrivalled expertise in filtered boiling, chilled and sparkling water, Zip Water is known globally for being home to the world's most advanced drinking water systems.

Founded in Australia in 1947, we've always been innovators, advancing and perfecting our drinking water technology for decades. Today, we provide businesses and homes in more than 70 countries with an extensive range of high performance systems to suit any requirement.

Thousands of offices, hospitals, schools, restaurants and residential properties are now benefitting from the purest tasting and cleanest water possible thanks to our cutting edge water filtration technology. And we're proud of the positive impact our drinking water systems have on people's health, wellbeing and productivity.

Transforming the way organisations provide drinking water for employees and visitors alike, our products marry state-of-the-art functionality with modern design, while also helping businesses save valuable time and money.

What's more, our commitment to sustainability means that these same businesses can rely on Zip Water to provide energy efficient, eco-conscious systems that tackle global issues, such as reducing damaging plastic bottle waste.

Think drinking water, think Zip Water.

John Doumani, CEO Zip Industries

Reuse. Refill. Refresh.

The horrifying damage that plastic does to the environment has been well-publicised, with particular emphasis on the over-reliance on single-use plastic bottles.

In addition, a recent study has discovered plastic particles in bottled water, opening up wider questions about the purity of bottled water and what health effects these particles may have on those ingesting them.

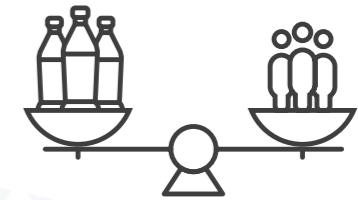
Luckily, it's easier than ever to reduce the amount of single-use plastic bottles we buy and throw away, both in the home and in the workplace. By choosing a highly filtered drinking water system from Zip, there's no need to buy one-use plastic bottled water. Our drinking water systems can be used to refill reusable bottles with clean, pure tasting water, benefiting the environment and the health of the user.

To demonstrate our commitment to helping businesses reduce their plastic waste, we've launched the Reuse Refill Refresh campaign. For more information, please visit zipcommercial.co.uk/RRR



480^{bn}

Plastic bottles sold worldwide in 2016¹



1 year's production of plastic bottles has the equivalent weight of all humanity²



16m go into UK landfill, are burned or leak into the ocean⁴

38.5^m

Plastic bottles used everyday in the UK³

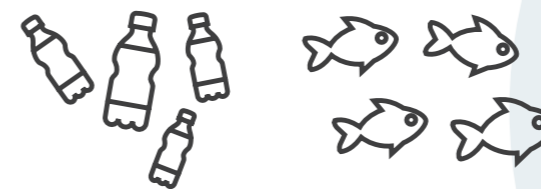
1:1

Predicted 1:1 plastic to fish ratio in the year 2050⁵



Polluting the human food chain

Plastic fibres have been found in the food chain, our tap water and now even bottled water.⁶ Zip MicroPurity filtration removes these microplastics down to 3 microns.



¹ Source: Euromonitor ²Source: Statista, PlasticsEurope
³ Source: The Guardian ⁴Source: Recycle Now via The Guardian ⁵Source: The Ellen MacArthur Foundation
⁶ Source: Orb Media via The Guardian



TEN REASONS TO SPECIFY ZIP

The world's most advanced range of drinking water systems

Drinking water is one of life's simple necessities that we often take for granted. However, you may be surprised to discover just how much of a positive impact the right drinking water solution can have, from improved wellbeing and productivity, to sustainability and cost savings.

One thing is for sure – tap water as we know it is a thing of the past. You have many options when it comes to mains-fed drinking water systems. We want to ensure that you have the information and support you need to make the right choice.

As creators of the world's most advanced drinking water system, our expertise in filtered boiling, chilled and sparkling water is second to none. World-leading water filtration, cutting-edge energy efficiency technology, unique safety features and a trusted track record across the globe mean you can be confident when choosing a Zip HydroTap.

Want to know more? Read on for the ten reasons to choose Zip.

Featured product

Zip HydroTap All-in-One Classic in bright chrome finish
151 Wardour Street, The Office Group



#01

The widest choice of drinking water systems

Boiling, chilled and sparkling plus hot and cold water, any way you want it. We offer the widest choice of water options and drinking water systems on the market. So, whether you need a complete refreshment solution for a busy multi-story office or chilled, filtered drinking water for a hospital or school, we can help.

Featured product
Zip HydroTap Celsius Arc
in brushed rose gold finish

You're not limited when it comes to capacity either – with models that can dispense up to 240 cups of boiling water and 373 750ml bottles of chilled and sparkling water per hour – businesses of all sizes are catered for.



Zip HydroTap

Water options available:



FILTERED
BOILING



FILTERED
CHILLED



FILTERED
SPARKLING



FILTERED
AMBIENT



UNFILTERED
HOT & COLD



Zip HydroChill

Water options available:



FILTERED
CHILLED



FILTERED
SPARKLING



FILTERED
AMBIENT



Zip Hydroboil

Water options available:



BOILING

*'Ambient' describes the temperature of the water where there is no additional heating or chilling to the incoming cold water supply. You may need to run the tap for a while to get it to a suitable temperature.

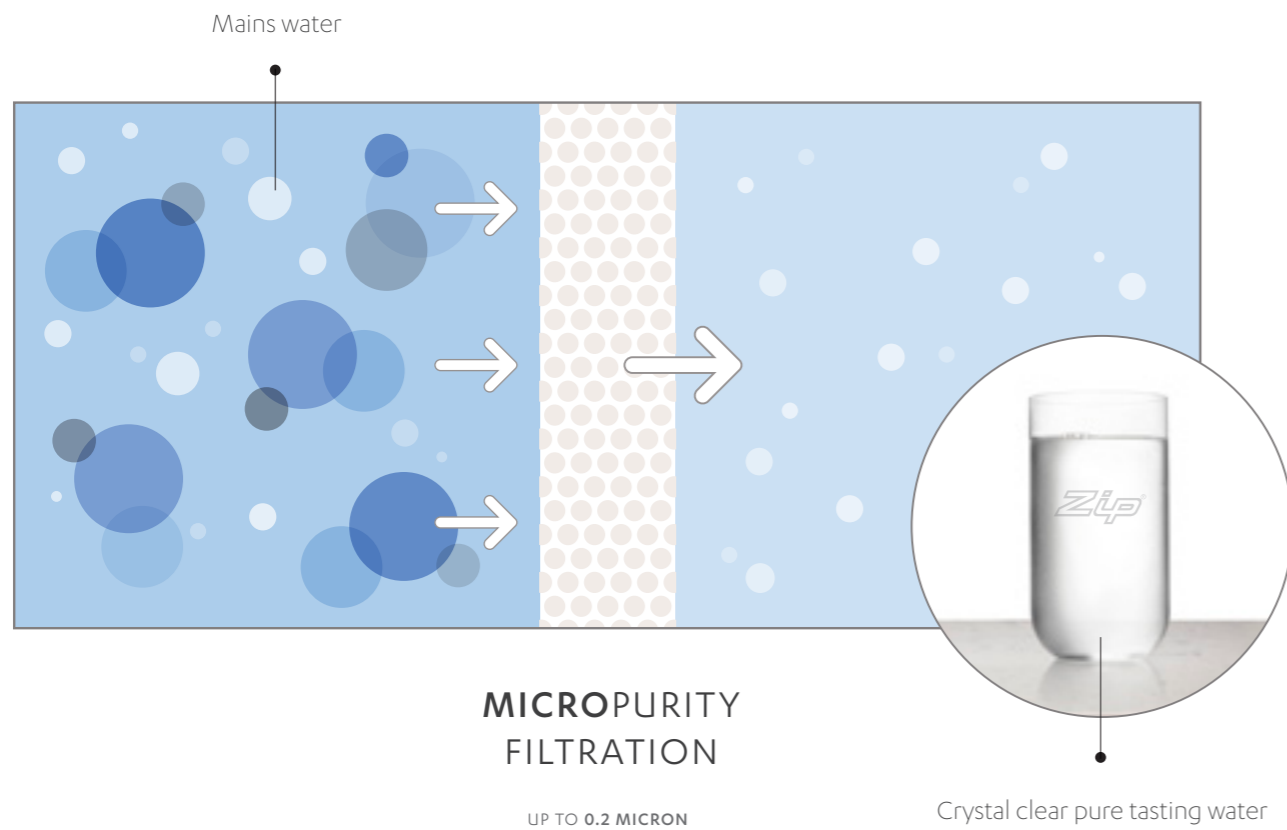
#02

First-class filtration

Thanks to our advanced MicroPurity filtration technology, Zip drinking water systems deliver the cleanest, safest and purest tasting water on the market, free from odours and contamination.

In fact, our flagship product, the HydroTap G4, offers 25 times better filtration than a water filter jug, making it the best of any instant filtered water tap in the world.

Unlike traditional carbon blocks, our premium filters combine carbon and sediment blocks into one cartridge. They not only remove dirt, bacteria, microplastics and contaminants from the water that other systems may not remove, but also up to 97% of chlorine and 99.9% of microbiological cysts if present.



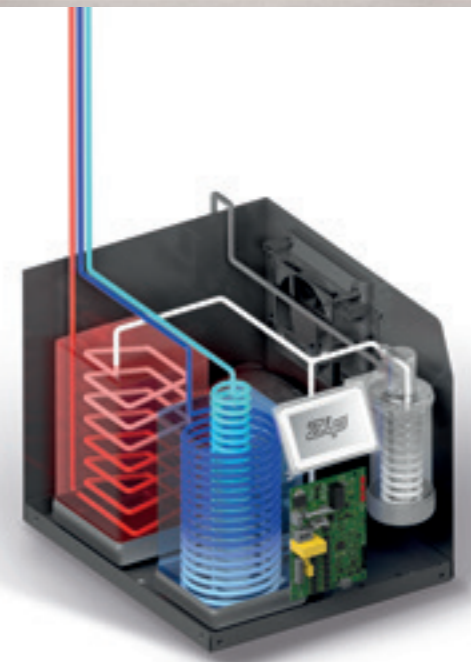
#03



Innovative technology

Leading the way in both performance and functionality, the technology behind our range of drinking water solutions is truly cutting edge, delivering the purest, safest and cleanest tasting water possible.

The HydroTap's fourth generation G4 technology has been perfected over 70 years of development and innovation, our drinking water systems are not only a breeze to maintain, but include exclusive features to save organisations energy, water and time.



G4

SMART.
SUSTAINABLE.
TECHNOLOGY.

#04

The sustainable choice

In this day and age the importance of sustainability for businesses and consumers cannot be underestimated. Increasingly, sustainability is aligned with the objectives and ethos of many organisations – with Zip Water UK being no exception.

As a specifier, you have the unique opportunity to positively impact the planet by choosing a drinking water solution that is energy efficient and eliminates the need to buy plastic bottled water.

Responsible manufacturing
Organisational dedication to sustainability



Low impact design
Complies with RoHS EU Directive 2002/95/EC



World class environmental credentials
Providing transparent product life cycle impact



Innovative air-cooled technology
Making HydroTap 100% water efficient



Smart energy saving modes
Auto-sleep function



Advanced energy management system
Reduces power consumption by up to 30%*



Eliminates the need for bottled water
Reducing your environmental impact



*Testing conducted by UNSW Global Pty Limited / Unisearch Expert Opinion Services 2014. Reference J084514.



Save time and energy

Did you know that office staff waste an average of four working days a year making hot drinks with a kettle?*

 With the convenience of our reliable instant boiling water systems, businesses can improve efficiency while reducing running costs.

It's not just employees who will be more efficient – all of our products have been designed to handle any level of demand, from busy workplaces to bustling family kitchens, all the while saving power. Our cutting-edge energy efficient technology keeps the water flowing without wasting a drop, so users can benefit from reduced electricity and water bills.

OFFICE STAFF WASTE AN AVERAGE OF FOUR WORKING DAYS A YEAR MAKING HOT DRINKS WITH A KETTLE!

*Study published in The Telegraph, 2014

#05

HYDROTAP BENEFITS:

Has an auto-sleep function that powers down the unit after a period of inactivity

Maintains its water temperature, so doesn't waste energy

Eliminates the need for **energy-guzzling kettles**

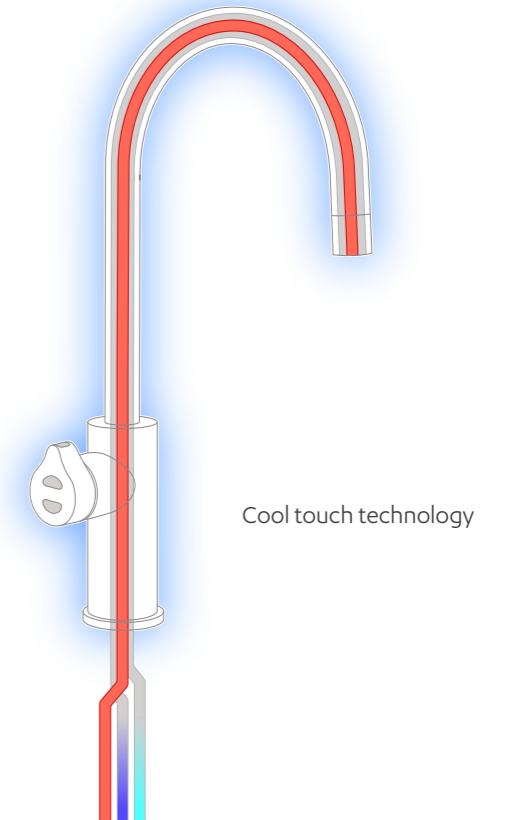


#07

Safe and accessible

All Zip products are designed to be completely safe and easy to use, with unique boiling water safety locks and cool touch technology. Whether you're specifying a HydroTap or Hydroboil, you can be confident that the end user can use our systems safely, without needing to worry about spluttering steam.

We can also advise on accessibility, with a range of products that are compliant with the Equalities Act 2010 and Building Regulations Part M 2004. A number of sections in these regulations are relevant to drinking water systems and the measures that need to be taken to ensure those with disabilities can use them with minimum difficulty. We can supply accessibility levers and braille covers for the HydroTap Classic range, which are ideal for those with disabilities or limited dexterity.



#06

Home and workplace wellbeing

Hydration has a huge impact on health and wellbeing. Whether in the office or at home, users notice a difference from having the convenience of filtered water at the touch of a button or lever.

Staying hydrated has never been easier with our range of drinking water solutions for home and work, offering irresistible filtered chilled, sparkling and boiling water, in an instant.

Those who drink more water enjoy a host of mental and physical health benefits; from improved brain function, cardiovascular, muscle and joint health, right the way through to keeping the body cool, skin supple and cleansing toxins.

For businesses, it's no secret that drinking more filtered water increases concentration, reduces downtime and fuels creativity, all while keeping staff happy and healthy. Plus, providing a reliable, pure tasting drinking water solution in the office is sure to boost morale.

*Research undertaken with 340 existing Zip HydroTap customers

80%

of HydroTap owners drink more water*



Featured product
Zip HydroTap Classic with oversized levers and braille covers.



Unparalleled design

Advanced functionality, made beautifully. With the widest choice of models, designs, colours and finishes on the market, Zip offers water and style at its best.

Gone are the days where poor design was excused if a product was functional. You can now choose a drinking water appliance that matches seamlessly with the design of the space you're specifying for. This is essential in today's modern, stylish offices where the kitchen often doubles as a meeting space. That's why we recently launched our HydroTap Design range to the commercial market, which is proving to be a massive hit.



HydroTap design range finishes

Standard range

- Bright chrome
- Brushed chrome
- Gloss black
- Matt black

Platinum range

- Rose gold
- Brushed rose gold
- Gold
- Brushed gold
- Platinum
- Gunmetal
- Nickel
- Brushed nickel



*Please note there is a minimum 12 week lead time on all Platinum range HydroTaps



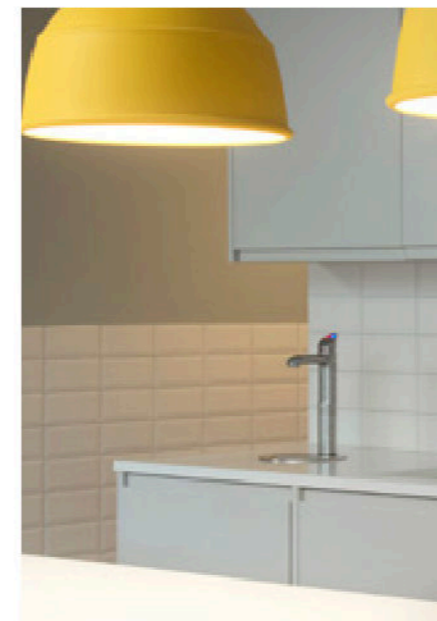
#09

Support at every stage

We offer dedicated, expert support from the very start of your project, ensuring you specify the perfect drinking water solution, followed by stress-free installation.

All Zip systems are backed by a full warranty, which can be supplemented by HydroCare, our stress-free aftercare package. HydroCare allows for complete peace of mind, covering essential annual filter changes, servicing and scale management. Find out more about HydroCare on page 77.

And with 80 directly employed engineers, we have the largest support network in the UK, giving businesses prompt, efficient service.



Featured products
Zip HydroTap Classic installed in offices at TimeInc London and Sleeper Magazine.



80

Directly employed engineers, across our UK and Ireland support network



#10

Trusted worldwide

The first and last word in commercial drinking water systems, Zip Water is backed by 70 years' experience and a team of experts that are dedicated to finding you the right solution. We are backed by numerous third party accreditations (see page 79), building our image as a trusted brand across the globe.

We only provide the highest quality, most robust products, designed specifically for heavy demand environments. Our rigorous manufacturing standards mean that you can trust in the durability of every single system we produce.

Having worked with and supplied drinking water systems to a vast number of well-known brands, we hope you agree that our list of customers speaks for itself.



Featured product
Zip HydroTap All-in-One Classic
in bright chrome finish



The Zip HydroTap

FOR WORK AND HOME APPLICATIONS

The Zip HydroTap G4 is the world's most advanced drinking water system, combining state-of-the-art technology, MicroPurity filtration and stunning design.

With the widest choice of water options on the market, you can choose from pure tasting instant filtered boiling, chilled and sparkling water, or all three.

Whether in a commercial for work environment or residential home, our range of HydroTaps offer a convenient, efficient and safe solution to all your hydration needs.

Beautiful design

Nine tap designs and twelve finishes to choose from.

Ultimate convenience

Saves precious time – no need to wait for the kettle to boil.

Pure tasting water

Our MicroPurity filtration delivers crystal clear, great tasting water.

Boiling, chilled, sparkling, hot & cold

The widest choice of water options on the market.



HydroTap G4 can dispense up to **240 cups** of boiling water and up to **175 cups** of chilled and sparkling water per hour



Zip HydroTap range

Stand alone instant filtered boiling, chilled and sparkling drinking water tap (no mixer tap)



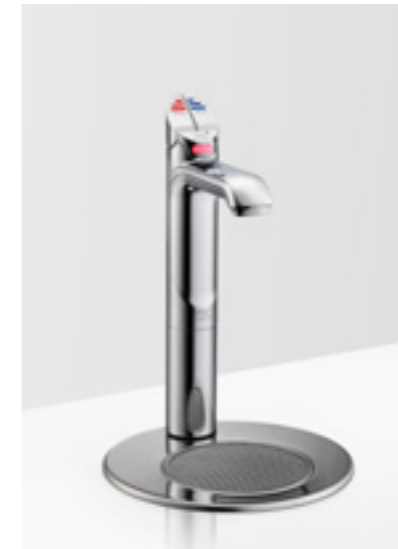
HydroTap Arc, Cube, Elite

Able to complement any interior – from traditional to contemporary – Zip’s design-led Arc, Cube and Elite HydroTaps have been created with the architect and specifier in mind. As practical as they are beautiful, the HydroTap design range marries functionality and style.

Now available for the workplace as well as home, design-driven offices can now benefit from instant filtered boiling, chilled and sparkling water from a tap that doesn’t disappoint in terms of style.

Available in 12 colours, including standard bright chrome, brushed chrome, matt black and gloss black, and Zip’s Platinum range of finishes, including rose gold, brushed rose gold, gold, brushed gold, platinum, gunmetal, nickel and brushed nickel.

Commercial and residential models available.



HydroTap Classic

Offering the choice of instant filtered boiling, chilled or sparkling water, or all three in any combination, the iconic industrial design of the Classic remains a much-loved and popular choice suited to any workplace or home. A safe, energy-efficient and highly functional appliance, we offer models to suit a range of business sizes and needs.

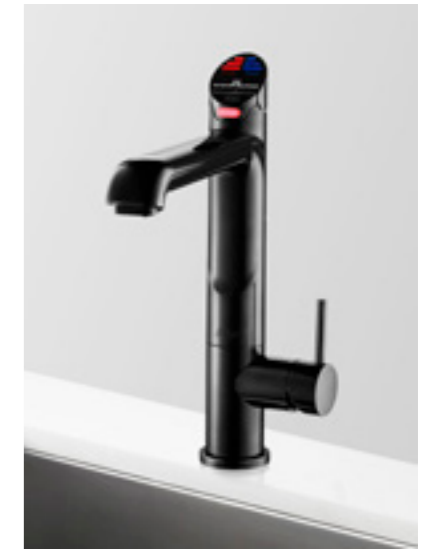
Commercial and residential models available.



HydroTap Industrial

In settings where safety, security and durability are top of agenda, look no further than the HydroTap Industrial. Designed specifically for ease of use and robustness, the HydroTap Industrial is made to last, even in the most demanding environments. Reliably delivering a choice of instant filtered boiling and chilled water with easy to use controls and unique safety features.

Commercial models only.



HydroTap All-in-One Classic

The robust HydroTap All-in-One offers filtered boiling, chilled and sparkling water, plus unfiltered hot and cold water from a single tap. Installed over the sink, its design is perfect for specifiers looking to blend contemporary aesthetics with industrial elements.

Commercial and residential models available.

HydroTap Arc

Timeless and enduringly classic, the Arc is an elegant choice. With its curved 'swan neck', it channels the Victorian design era, yet sits just as happily in today's kitchens.

Featured product
Zip HydroTap Arc installed with optional font in rose gold finish



Available water options, finishes and capacities:

FILTERED: BOILING CHILLED SPARKLING	FILTERED: BOILING CHILLED	FILTERED: CHILLED SPARKLING	FILTERED: CHILLED	FILTERED: BOILING AMBIENT	FILTERED: BOILING
---	--	--	-----------------------------	--	-----------------------------

STANDARD				PLATINUM							
Z1	Z2	Z3		Z4	Z5	Z6	Z7	Z8	Z9	Z10	Z11
BRIGHT CHROME	BRUSHED CHROME	GLOSS BLACK	MATT BLACK	ROSE GOLD	BRUSHED ROSE GOLD	GOLD	BRUSHED GOLD	PLATINUM	CUNMETAL	NICKEL	BRUSHED NICKEL

12 week lead time on Platinum Range

HYDROTAP ARC	BOILING MAX CUPS/HOUR	CHILLED MAX GLASSES/HOUR	SPARKLING GLASSES/HOUR
COMMERCIAL	160	175	175
COMMERCIAL	240	175	175
RESIDENTIAL BASE MODEL	80	-	-
RESIDENTIAL G4	80	75	75



HydroTap Arc can be installed over sink or optional font.

HydroTap Cube

A contemporary twist on a classic, the HydroTap Cube fits perfectly in modern kitchens. Make a design statement with this Arne Jacobsen inspired tap.

Featured product
Zip HydroTap Cube installed with optional font in matt black finish



Available water options, finishes and capacities:

FILTERED: BOILING CHILLED SPARKLING	FILTERED: BOILING CHILLED	FILTERED: CHILLED SPARKLING	FILTERED: CHILLED	FILTERED: BOILING AMBIENT	FILTERED: BOILING
---	--	--	-----------------------------	--	-----------------------------

STANDARD				PLATINUM							12 week lead time on Platinum Range
Z1	Z2	Z3		Z4	Z5	Z6	Z7	Z8	Z9	Z10	Z11
BRIGHT CHROME	BRUSHED CHROME	GLOSS BLACK	MATT BLACK	ROSE GOLD	BRUSHED ROSE GOLD	GOLD	BRUSHED GOLD	PLATINUM	CUNMETAL	NICKEL	BRUSHED NICKEL



HydroTap Cube can be installed over sink or optional font.

HYDROTAP CUBE	BOILING MAX CUPS/HOUR	CHILLED MAX GLASSES/HOUR	SPARKLING GLASSES/HOUR
COMMERCIAL	160	175	175
COMMERCIAL	240	175	175
RESIDENTIAL BASE MODEL	80	-	-
RESIDENTIAL G4	80	75	75

HydroTap Elite

Compact and discreet, the HydroTap Elite is a great choice for minimalist spaces. Simple, clean lines make this a design classic.

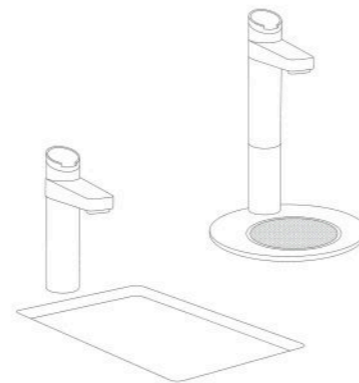
Featured product
Zip HydroTap Elite in brushed chrome finish



Available water options, finishes and capacities:

FILTERED: BOILING CHILLED SPARKLING	FILTERED: BOILING CHILLED	FILTERED: CHILLED SPARKLING	FILTERED: CHILLED	FILTERED: BOILING AMBIENT	FILTERED: BOILING
---	--	--	-----------------------------	--	-----------------------------

STANDARD				PLATINUM <small>12 week lead time on Platinum Range</small>							
Z1	Z2	Z3		Z4	Z5	Z6	Z7	Z8	Z9	Z10	Z11
BRIGHT CHROME	BRUSHED CHROME	GLOSS BLACK	MATT BLACK	ROSE GOLD	BRUSHED ROSE GOLD	GOLD	BRUSHED GOLD	PLATINUM	CUNMETAL	NICKEL	BRUSHED NICKEL



HydroTap Elite can be installed over sink or optional font.

HYDROTAP ELITE	BOILING MAX CUPS/HOUR	CHILLED MAX GLASSES/HOUR	SPARKLING GLASSES/HOUR
COMMERCIAL	160	175	175
COMMERCIAL	240	175	175
RESIDENTIAL	80	75	75

HydroTap Classic

Our original HydroTap, the Classic effortlessly combines form and function. Its utilitarian design matches well with modern industrial-style spaces.

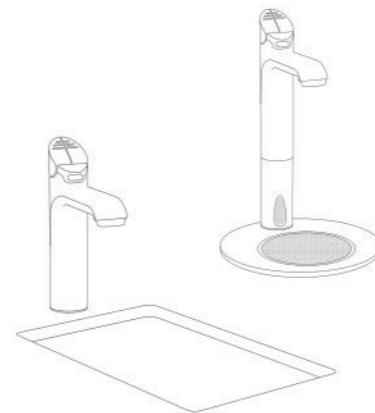
Available water options, finishes and capacities:

FILTERED: BOILING CHILLED SPARKLING	FILTERED: BOILING CHILLED	FILTERED: CHILLED SPARKLING	FILTERED: CHILLED	FILTERED: BOILING AMBIENT	FILTERED: BOILING
---	--	--	-----------------------------	--	-----------------------------

STANDARD



HYDROTAP CLASSIC	BOILING MAX CUPS/HOUR	CHILLED MAX GLASSES/HOUR	SPARKLING GLASSES/HOUR
COMMERCIAL	100	75	75
COMMERCIAL	140	75	75
COMMERCIAL	160	175	175
COMMERCIAL	240	175	175
RESIDENTIAL	80	75	75



HydroTap Classic can be installed over sink or optional font.

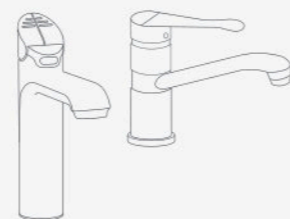
Featured product
Zip HydroTap Classic in bright chrome finish



Zip HydroTap 3-in-1, 4-in-1 and 5-in-1

The Zip HydroTap Classic is also available as a 3-in-1, 4-in-1 and 5-in-1 when paired with our Mixer Tap. Mixer Taps are available in either vented or non-vented versions. Vented Mixer Taps provide hot water at 50°C for washing up from the HydroTap under-counter command centre, so a hot water feed is not necessary. Non-vented Mixer Taps require a hot and cold water feed.

- Filtered boiling, chilled and sparkling, plus unfiltered hot and cold water (5-in-1)
- Filtered boiling and chilled, plus unfiltered hot and cold water (4-in-1)
- Filtered boiling and ambient, plus unfiltered hot and cold water (4-in-1)
- Filtered boiling, plus unfiltered hot and cold water (3-in-1)



Add a Classic Mixer Tap for hot & cold

HydroTap Industrial

Designed with strength and security front of mind, the Classic Industrial is proven under the toughest industrial and institutional conditions.

Featured product
Zip HydroTap Classic Industrial Top Touch



SIDE TOUCH



TOP TOUCH

Available water options, finishes and capacities:

FILTERED:
BOILING
CHILLED

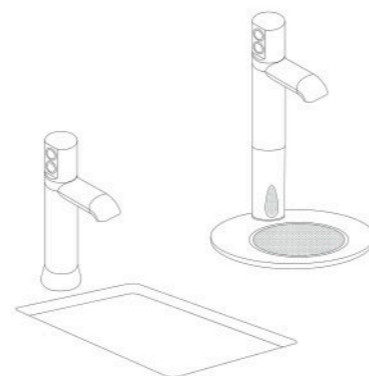


High strength vandal resistant tapered base.

STANDARD



BRIGHT CHROME



HydroTap Classic Industrial Top Touch and Side Touch can be installed over sink or optional font.

HYDROTAP INDUSTRIAL	BOILING MAX CUPS/HOUR	CHILLED MAX GLASSES/HOUR
COMMERCIAL	160	175
COMMERCIAL	240	175

HydroTap Classic All-in-One

Our iconic HydroTap Classic design with a combined mixer tap, which dispenses filtered boiling, chilled and sparkling water and unfiltered hot and cold for washing up and hand washing.

This product is available as vented or non-vented. Vented models mix boiling water with cold for hot water. This means no hot water feed is required. Non-vented models require a mains hot & cold feed.

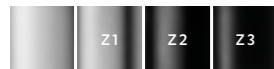
Available water options, finishes and capacities:

FILTERED:
BOILING CHILLED SPARKLING
UNFILTERED:
HOT & COLD

FILTERED:
BOILING CHILLED
UNFILTERED:
HOT & COLD

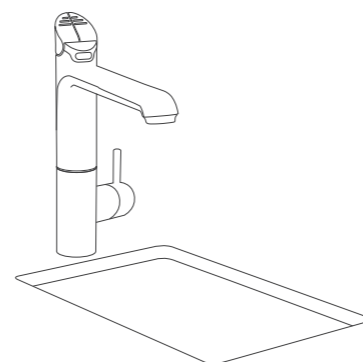
FILTERED:
BOILING
UNFILTERED:
HOT & COLD

STANDARD



BRIGHT CHROME BRUSHED CHROME GLOSS BLACK MATT BLACK

CLASSIC ALL-IN-ONE	BOILING MAX CUPS/HOUR	CHILLED MAX GLASSES/HOUR	SPARKLING GLASSES/HOUR
WITH NON-VENTED MIXER TAP. REQUIRES HOT AND COLD WATER FEED			
COMMERCIAL	100	75	75
COMMERCIAL	140	75	75
COMMERCIAL	160	175	175
COMMERCIAL	240	175	175
WITH VENTED MIXER TAP. COLD WATER FEED ONLY - NO NEED FOR HOT SUPPLY			
COMMERCIAL	140	75	75
COMMERCIAL	160	175	175
COMMERCIAL	240	175	175



HydroTap Classic All-in-One can be installed over sink only.

Featured product
Zip HydroTap Classic All-in-One
in bright chrome finish



HydroTap Celsius range

A choice of instant filtered boiling, chilled and sparkling water, combined with unfiltered hot and cold mixer tap



HydroTap All-in-One Celsius Arc

The ultimate in functionality, the All-in-One Celsius Arc offers all five water types – filtered boiling, chilled and sparkling water, plus unfiltered hot and cold water – from a single tap. And it's all wrapped up in Zip's enduringly elegant Arc design. Perfect for the workplace kitchen or in the home, users will benefit from everything you'd expect from the HydroTap, including advanced filtration and energy saving features.

Commercial and residential models available.



HydroTap Celsius Arc and Celsius Cube

Offering the same stylish look as the HydroTap Design range, but with an added space-saving benefit. The Celsius Arc and Celsius Cube deliver a choice of filtered boiling or chilled or chilled and sparkling water, alongside unfiltered hot and cold water for the sink, so there's no need for a separate mixer tap. Great for decluttering worktops to achieve that minimal look.

Commercial and residential models available.

HydroTap All-in-One Celsius Arc

The ultimate in style and substance, the revolutionary HydroTap All-In-One Celsius Arc delivers all five water options from just one, beautifully designed tap.

This model is only available as a non-vented model and will require a mains hot and cold feed.

Featured product
Zip HydroTap All-in-one Celsius Arc
in bright chrome finish

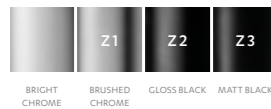
Available water options, finishes and capacities:

FILTERED:
BOILING CHILLED SPARKLING
UNFILTERED:
HOT & COLD

FILTERED:
BOILING CHILLED
UNFILTERED:
HOT & COLD

FILTERED:
BOILING
UNFILTERED:
HOT & COLD

STANDARD

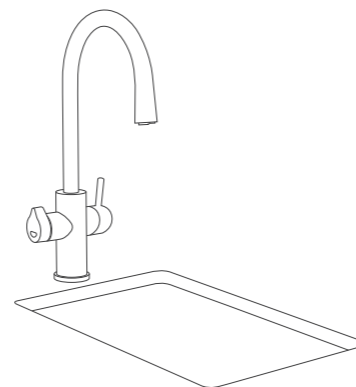


PLATINUM

12 week lead time on Platinum Range



ALL-IN-ONE CELSIUS ARC	BOILING MAX CUPS/HOUR	CHILLED MAX GLASSES/HOUR	SPARKLING GLASSES/HOUR
COMMERCIAL	100	75	75
COMMERCIAL	140	75	75
COMMERCIAL	160	175	175
COMMERCIAL	240	175	175
RESIDENTIAL G4	80	75	75



HydroTap All-in-one Celsius Arc can be installed over sink only.



HydroTap Celsius Arc

Eliminate the need for a separate mixer tap – the HydroTap Celsius Arc is perfect for those who appreciate style and versatility at its best. It delivers a choice of filtered chilled, chilled and sparkling or boiling water, combined with unfiltered hot and cold water for washing up.

Featured product
Zip HydroTap Celsius Arc
in brushed rose gold finish

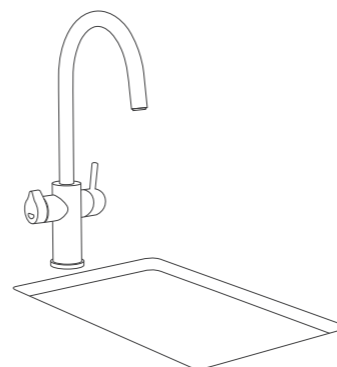


Available water options, finishes and capacities:

FILTERED: CHILLED SPARKLING	FILTERED: CHILLED	FILTERED: BOILING
UNFILTERED: HOT & COLD	UNFILTERED: HOT & COLD	UNFILTERED: HOT & COLD



HYDROTAP CELSIUS ARC	BOILING MAX CUPS/HOUR	CHILLED MAX GLASSES/HOUR	SPARKLING GLASSES/HOUR
COMMERCIAL	100	75	75
COMMERCIAL	140	75	75
COMMERCIAL	160	175	175
COMMERCIAL	240	175	175
RESIDENTIAL BASE MODEL	80	-	-
RESIDENTIAL G4	80	75	75



HydroTap Celsius Arc can be installed over sink only.

HydroTap Celsius Cube

No need for an additional mixer tap – the HydroTap Celsius Cube provides a choice of filtered chilled, chilled and sparkling or boiling water combined with unfiltered hot and cold water, all wrapped up in the modern Cube design.

Featured product
Zip HydroTap Celsius Cube
in rose gold finish

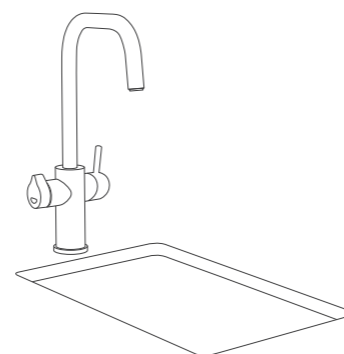


Available water options, finishes and capacities:

FILTERED: CHILLED SPARKLING	FILTERED: CHILLED	FILTERED: BOILING
UNFILTERED: HOT & COLD	UNFILTERED: HOT & COLD	UNFILTERED: HOT & COLD



HYDROTAP CELSIUS CUBE	BOILING MAX CUPS/HOUR	CHILLED MAX GLASSES/HOUR	SPARKLING GLASSES/HOUR
COMMERCIAL	100	75	75
COMMERCIAL	140	75	75
COMMERCIAL	160	175	175
COMMERCIAL	240	175	175
RESIDENTIAL BASE MODEL	80	-	-
RESIDENTIAL G4	80	75	75



HydroTap Celsius Cube can be installed over sink only.



Mixer Taps

Our Mixer Tap range has been created to match the shapes and finishes of the HydroTap Arc and Cube designs. This means that you can specify a mixer tap to deliver unfiltered hot and cold water for washing up, as a beautiful addition to match your client's HydroTap.

Mixer Taps are available in either vented or non-vented versions. Vented Mixer Taps provide hot water at 50°C for washing up from the HydroTap under-counter command centre, so a hot water feed is not necessary. Non-vented Mixer Taps require a hot and cold water feed.

A Mixer Tap can be used alongside the HydroTap Classic, Arc, Cube and Elite.

Water combinations available are:

- Filtered boiling, chilled and sparkling, plus unfiltered hot and cold water (5-in-1)
- Filtered boiling and chilled, plus unfiltered hot and cold water (4-in-1)
- Filtered boiling and ambient, plus unfiltered hot and cold water (4-in-1)
- Filtered boiling, plus unfiltered hot and cold water (3-in-1)



MIXER TAP ARC



MIXER TAP CUBE

Featured product

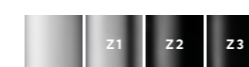
Mixer Tap Arc positioned next to HydroTap Arc
boiling, chilled, sparkling in nickel



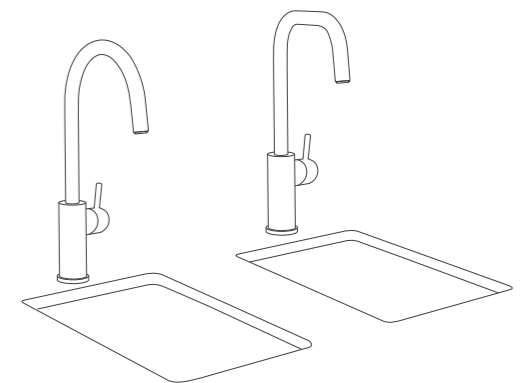
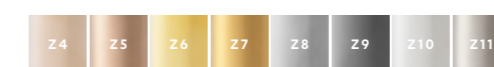
Available water options and finishes:

UNFILTERED:
HOT & COLD

STANDARD



PLATINUM





ROSE GOLD

BRUSHED ROSE GOLD

GOLD

BRUSHED GOLD

PLATINUM

GUNMETAL

NICKEL

BRUSHED NICKEL

Platinum finish options not available on HydroTap Base Model



BRIGHT CHROME

BRUSHED CHROME

GLOSS BLACK

MATT BLACK

STANDARD RANGE



BRIGHT CHROME

Z1 BRUSHED CHROME

Z2 GLOSS BLACK

Z3 MATT BLACK

PLATINUM RANGE



Z4 ROSE GOLD

Z5 BRUSHED ROSE GOLD

Z6 GOLD

Z7 BRUSHED GOLD

Z8 PLATINUM

Z9 GUNMETAL

Z10 NICKEL

Z11 BRUSHED NICKEL

A colour and finish to complement any space

While our Standard finish options are anything but standard, we know that the demand for a greater range of tap finishes has never been higher.

That's why alongside our Standard finishes, our Platinum range of finishes features eight additional trend-led choices. So whether you're looking for a Scandinavian-inspired rose gold, an industrial gunmetal grey or a classic platinum, you can now choose a HydroTap that will match seamlessly with any interior style.

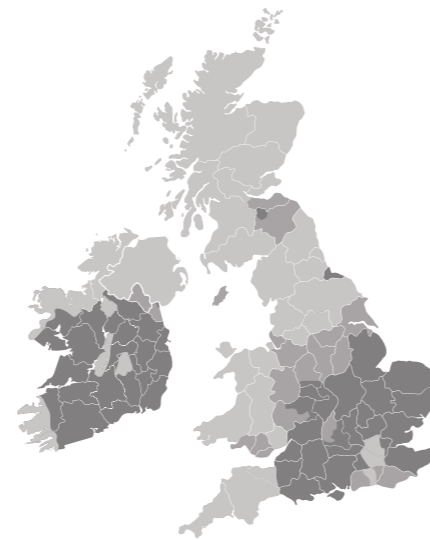
Filters and CO₂

Zip Water UK's range of filters transform ordinary water into a form that everyone will love. Our MicroPurity filtration technology is the most advanced on the market, producing crystal clear, great tasting water, free from odours and contamination including sediment, chlorine, heavy metals like lead, microplastics, bacteria and parasites (such as cryptosporidium and giardia).

We also recommend that those who live in a hard water area use a scale prevention filter to ensure the ongoing performance and longevity of their Zip system. Our HydroCare plan manages this for the customer, along with annual filter changes and servicing. Find out more about HydroCare on page 77. Otherwise, customers can contact us direct to order filter replacements and we will deliver them direct to their door.

UK and Ireland hard water areas map

- Hard water
- Medium water
- Soft water



Commercial



93702
Zip MicroPurity™ HydroTap Filter for Work 0.2 Micron (for HydroTap G4)

Our ultimate filtration, the 0.2 micron MicroPurity filter ensures pure-tasting water which is clean and safe. With WRAS approval, specifiers can be sure that the filter carries all of the required endorsements.



93703
Zip MicroPurity™ HydroTap Filter for Work HD 3 Micron (for HydroTap G4)

Providing efficient filtration for high-capacity models, Zip's 3 micron filter offers businesses the best filter lifespan, as well as great tasting water.



FL250, FL500, FL1000, FL1500, FL2000
Zip Scale Prevention Filters up to 16,500 litres (for HydroTap G4)

Available in a range of capacities from 1,700 litres to 16,500 litres, this high-performance scale filter improves the taste of water and increases the lifespan of your Zip product. A must for Zip products installed in hard water areas.



FL2300
Scale Filter Cartridge for light commercial use (for HydroTap G4)
Ideal for light commercial use, this filter features triple action filtration to reduce water hardness and improve taste and odour.

Residential



FL1100
Zip Scale Prevention Filter (for HydroTap Base Model)
High performance scale filtration, including taste and odour, for the HydroTap Base Model. Significantly reduces impurities greater than 1 micron.



93701
Zip 0.2 Micron Residential Filter (for HydroTap G4)
Our leading 0.2 micron MicroPurity filter gives you the safest, cleanest and purest tasting water available. Delivering 25 times better filtration than a standard water filter jug, it expertly removes contaminants greater than 0.2 microns.



FL170
Zip Scale Prevention Filter (for HydroTap G4)
Triple action limescale filtration cartridge for the HydroTap G4, essential in hard water areas to maintain product performance. Speak to our team if you're unsure about the water hardness in your location.



ZT400
Zip Food Grade CO₂ Canister
If you have a HydroTap that delivers sparkling water, you will need to replace the CO₂ canister when it runs out. Order online or over the phone.



FL3600
Scale Filter Cartridge for normal commercial use (for HydroTap G4)
Replacement filter for more frequent use, this highly efficient filter removes particulates for clean, fresh water.



ZT402
0.2 micron Filter Replacement Cartridge (for HydroTap G4)
This filter cartridge for HydroTap G4 models only removes sediment, chlorine, heavy metals like lead, impurities, plastic fibres, bacteria and parasites greater than 0.2 microns.



ZT002
Submicron Filter (for non-HydroTap G4 models)
Suitable for HydroTaps that are not G4 models, this filter reduces chlorine and contaminants to provide great-tasting water.



ZT400
Zip Food Grade CO₂ Canister
If you have a HydroTap that delivers sparkling water, you will need to replace the CO₂ canister when it runs out. Order online or over the phone.

Accessories



90915

Zip font kit

Suits any current model Zip HydroTap Classic or Elite



93441

Zip stand alone font kit

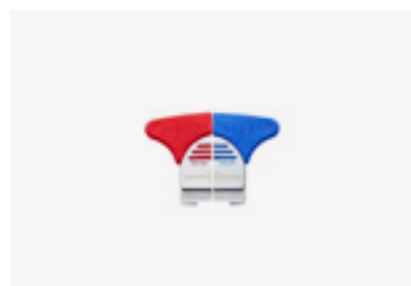
Suits any current model HydroTap Arc or Cube. Does not include extension



92408

Zip 100mm extension

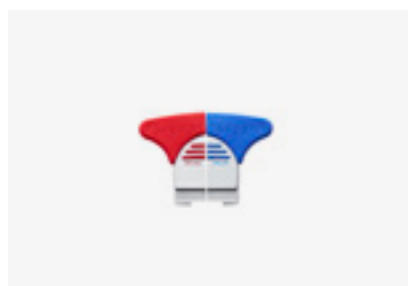
Suits any current model Zip HydroTap Classic or Elite.



91564

Zip BCS accessibility lever

Available in various configurations to suit your needs. Compatible with Classic HydroTap only



91560

Zip BC accessibility lever

Zip HydroTap Classic only

Installation accessories



93540

Zip vent tray

Suits any current commercial Zip HydroTap G4 BC or BCS



93541

Zip vent tray

Suits any current commercial Zip HydroTap G4 C or CS



93156

Zip dual exhaust fan

Suits any current commercial Zip HydroTap G4 with chilled water



Air-cooling technology

Our air-cooling technology is energy efficient and does not use any water, so not a drop is wasted. This means savings for your clients, as well as upping your sustainability credentials, which is great for the planet too. What's more, when installed with the vent trays (93540, 93541) the under-counter cooling unit will not require any cutting of the cabinet door for additional ventilation. So it won't interfere with your kitchen design.

INNOVATIVE AIR-COOLED TECHNOLOGY

WATER EFFICIENT

EASY INSTALLATION

HydroTap Base Model

For residential

The Zip HydroTap Base Model has all the style, function and convenience you'd expect from Zip. Providing instant filtered boiling and ambient water at the touch of a button, the Base Model is available with either a Classic, Arc, Cube or Elite style tap in our range of standard finishes, including bright chrome, brushed chrome and matt black.

Featuring a compact command centre that's the smallest in Zip's HydroTap range, the Base Model is also great for kitchens with limited under-counter space. Users will benefit from scale filtration, improving the taste and odour of the water they drink and maintaining the performance of their HydroTap.

There is also the option of the HydroTap Base Model Celsius, which delivers filtered boiling water, as well as unfiltered hot and cold water from one tap, eliminating the need for an additional mixer tap for washing up.



Residential

HydroTap G4



SMART. SUSTAINABLE. TECHNOLOGY.

For commercial and residential

With filtered boiling, chilled and sparkling, and hot and cold water, any way you want it, the HydroTap G4 range offers the widest choice of water options available on the market.

Enjoy world-leading filtration technology that's 25 times better than a water filter jug, giving you crystal clear, pure tasting water that's free from contaminants, bacteria, heavy metals and microplastics.

The HydroTap G4 also boasts a number of advanced energy efficiency and safety features, such as Power-Pulse technology, 'sleep when dark' mode, boiling lock and cool touch tap.

With a vast selection of designs and colours – as well as the option of fitting it over-sink or on-front – you'll be spoilt for choice and benefit from a tap that not only delivers on performance, but also looks at home in any design-led kitchen. Choose from our Platinum range of premium finishes, including rose gold, brushed rose gold, gold, brushed gold, platinum, gunmetal, brushed nickel and nickel.

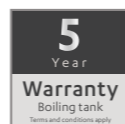
When specifying a HydroTap G4 for a commercial project, you must select a commercial model, which has been designed to withstand the demands of these environments.



Residential*



Commercial



Residential under-counter HydroTap Base Model and HydroTap G4 comparison

	HYDROTAP BASE MODEL	HYDROTAP G4
FUNCTIONS	Boiling and ambient, boiling and hot and cold	Boiling chilled sparkling, hot and cold (any variation of)
FILTRATION	1 micron	0.2 micron
FINISHES	Standard	Standard and Platinum
DESIGN CHOICES	Arc, Cube, Celsius Arc, Celsius Cube	Arc, Cube, Elite, Classic, Celsius Arc, Celsius Cube, All-in-One Celsius Arc
SIZE OF UNDER COUNTER	216 x 272 x 338	from 280 x 313 x 338
POWER-PULSE TECHNOLOGY	N	Y
ENERGY SAVING MODE	N	Y
WARRANTY	2 YEAR PARTS & LABOUR	3 YEAR PARTS & LABOUR

*If a residential model HydroTap is installed in a commercial application this could invalidate the warranty





HydroChill range

FOR HIGH CAPACITY APPLICATIONS

Introducing our new range of filtered chilled water systems for medium to large office and commercial locations, where demand is high and sustainability is vital.

HydroChill is a range of flexible, high-capacity, chilled water systems, which completely remove the need for unsustainable, expensive plastic bottled water thanks to superior filtration technology. So, unlimited hydration for employees and guests not only means a healthier, more productive workplace but a greener business.

Choose from chilled, sparkling and ambient, under-counter and counter-top models.



UP TO
373

Number of 750ml bottles of filtered chilled water that can be dispensed by Zip HydroChill per hour

Zip HydroChill range

High capacity instant filtered chilled, sparkling and ambient water



HydroChill Counter-Top HC10

With the option of having chilled and ambient or chilled, ambient and sparkling filtered water, this counter-top product features touch-button controls for ease of use.



FILTERED CHILLED



FILTERED SPARKLING



FILTERED AMBIENT



HydroChill Counter-Top HC20

Also a counter-top product, HydroChill Counter Top Plus offers even greater capacity, plus, you have the option of having a touch-button activation or a tap.



FILTERED CHILLED



FILTERED SPARKLING



FILTERED AMBIENT



HydroChill Under-Counter HC50

For installations that require the box unit to be under-counter, HydroChill under-counter offers the ideal solution. The main unit is tucked away out of sight, and there is a choice of on-counter taps with either two or three spouts, or a touch-button control.



FILTERED CHILLED



FILTERED SPARKLING



FILTERED AMBIENT

HydroChill Counter-Top HC10

Featured product
Zip HydroChill Under-Counter
HC10 45 litre

CAPACITY OPTIONS		
	LITRES PER HOUR	BOTTLES PER HOUR ¹
>	30	40
>	45	60

Product Information

With options of having up to 30 or 45 litres per hour of chilled and ambient or chilled, ambient and sparkling filtered water, this counter-top product features push-button controls for ease of use. For further product specification details see the table on page 105 this brochure.

Available water options:

FILTERED:
CHILLED
AMBIENT

FILTERED:
CHILLED
SPARKLING
AMBIENT

- Compact, brushed stainless steel design
- Zip MicroPurity high capacity filtration included as standard
- UV Out filtration system available on selected models
- Matching floor standing cabinet available
- Quick and easy to install

¹Based on a 750ml bottle



HydroChill Counter-Top HC20

CAPACITY OPTIONS		
	LITRES PER HOUR	BOTTLES PER HOUR ¹
>	80	106
>	150	200

Product Information

With a capacity of up to 150 litres per hour, the tap control on this counter-top product makes filling a bottle or a single glass of water simple, while looking stylish and professional. For further product specification details see the table on page 105 of this brochure.



Available water options:

FILTERED:
CHILLED
AMBIENT

FILTERED:
CHILLED
SPARKLING

- Tap control
- Stainless steel design
- Matching floor standing cabinet available for 80 litre model
- Zip MicroPurity high capacity filtration included as standard
- Quick and easy to install

¹Based on a 750ml bottle

HydroChill Counter-Top HC20

CAPACITY OPTIONS		
	LITRES PER HOUR	BOTTLES PER HOUR ¹
>	80	106
>	150	200

Product Information

Also a counter-top product, HydroChill HC20 push-button can dispense up to 150 litres per hour, with portion control and manual dispense functions for ease of use. For further product specification details see the table on page 105 of this brochure.



Available water options:

FILTERED:
CHILLED
AMBIENT

FILTERED:
CHILLED
SPARKLING

- Push-button control
- Matching floor standing cabinet available for 80 litre model
- Portion control and manual dispense functions
- UV Out filtration system available on selected models
- Zip MicroPurity high capacity filtration included as standard
- Quick and easy to install

HydroChill Under-Counter HC50

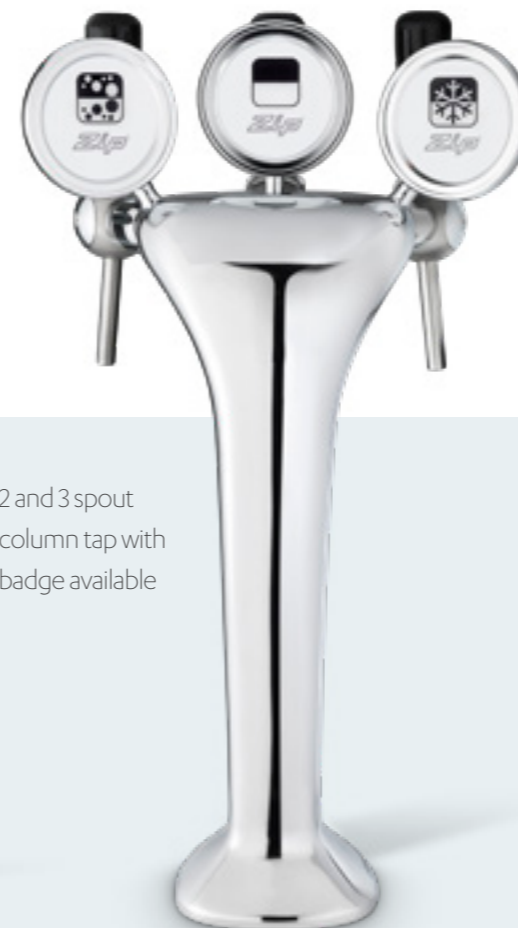
CAPACITY OPTIONS		
	LITRES PER HOUR	BOTTLES PER HOUR ¹
>	30	40
>	60	82
>	80	106
>	150	200
>	280	373

Product Information

The perfect choice for front of house, HydroChill Under-Counter features a number of stylish tap designs. It is the ideal solution for installations that require the unit to be tucked away out of sight. There is a choice of on-counter taps with either two or three spouts, or a push-button control Bridge, (right) available in conjunction with all under-counter units. The bridge allows portion control for chilled, sparkling and ambient water. For further product specification details see the table on page 106 of this brochure.



2 and 3 spout
column tap
available



2 and 3 spout
column tap with
badge available



Bridge
button
control

Available water combinations:

**FILTERED:
CHILLED
AMBIENT**

**FILTERED:
CHILLED
SPARKLING**

**FILTERED:
CHILLED
SPARKLING
AMBIENT**

- Choice of outlet: column tap with two spouts, column tap with three spouts or push-button
- Suitable for areas with limited counter space
- UV out filtration system available on push button models

¹Based on a 750ml bottle

HC50 Under-Counter Unit Dimensions

The under-counter units are the ideal solution for installations where counter space is at a premium. Dimensions below in width, depth and height order.



HC50 30 lph 260 x 416 x 416mm



HC50 60 lph 318 x 335 x 547mm



HC50 80 lph 318 x 457 x 554mm



HC50 150 lph 460 x 460 x 608mm



HC50 280 lph 550 x 760 x 808mm

HydroChill glassware

We offer a collection of high-quality glass bottles and accessories to ensure a professional and eco-friendly image.

Making a good impression counts, and presenting your pure-tasting water professionally is crucial. These bottles can be branded with your company logo or message in high quality, wash-proof print.*



Oslo bottle

Eco bottle



BOTTLE PERSONALISATION AVAILABLE

GLASSWARE ACCESSORIES	
94785	Oslo bottle: chilled, 15 bottles
94786	Oslo bottle: sparkling, 15 bottles
94788	Eco bottle: chilled, 12 bottles
94789	Eco bottle: sparkling, 12 bottles
94790	Silver screw cap for Oslo and Eco bottles, 100 caps
94791	Gold screw cap for Oslo and Eco bottles, 100 caps

*Minimum order quantity may apply.

Consumables and accessories

Zip offers a choice of drip trays and space saving cabinets for counter-top models. Where re-fillable bottles are required we offer a range of accessories to easily clean, store, maintain and help display these products. Simply contact us with your HydroChill product code to order your consumables.



94773:
Stainless drip tray
150 x 220mm



94774:
Stainless drip tray
400 x 220mm



94775:
Built-in stainless drip tray with drain
400 x 220mm



94776:
Cabinet for HC10 30 l/ph



94777:
Cabinet for HC10 45 l/ph



94778:
Cabinet for HC20 80 l/ph



94796:
Basket cover



94797:
Wash basket trolley



94795:
Bottle-washing basket



94793:
Wooden crate - 12 bottle



Replacement UV Out lamp bulb
One bulb required per outlet.
8,000 hours life.
95054: UV bulb for Bridge IT.
95055: UV bulb for HC10 & HC20.



93705: Zip MicroPurity high capacity filter cartridge replacement
3 Micron, 17,000 litres.

450

PLASTIC WATER BOTTLES TAKE ON AVERAGE 450 YEARS TO BREAK DOWN NATURALLY¹



¹Information Source: U.S. National Park Service; Mote Marine Lab, Sarasota, FL.

Hydroboil range

Featured product
Zip Hydroboil Plus

Instant on-wall boiling water

There's no need to wait for the kettle to boil with our recently redesigned Zip Hydroboil range, which delivers boiling water instantly from a reliable wall-mounted unit. As well as saving time, the Hydroboil range saves businesses energy and money too. Costing little to run, energy efficient design and electronic controls minimise power consumption, while simple-to-use fingertip control brings you a cup-full or teapot-full of boiling water at a time.

Hydroboil Plus

With all the benefits of the Hydroboil, the Hydroboil Plus also features energy-saving Power-Pulse™ technology, inactivity and low light sleep modes and is equipped with a two-way safety tap and safety lock.

BOILING



Hydroboil

Advanced boiling water technology and electronic temperature control delivers boiling water heated to within 0.2°C of set temperature. Enjoy no waiting time with this convenient, reliable and safe wall-mounted instant boiling water unit.

BOILING



Econoboil

Employs patented twin chamber boiling water steam-heat-boost™ technology to recycle energy from steam to pre-heat the incoming cold water. Also features thermostatic temperature control and is equipped with an external two-way classic tap.

BOILING



ChillTap and FilterTap

Instant chilled and filtered water

Our mains-fed chillers are designed for workplace, education and public buildings to provide healthy, fresh filtered drinking water. Say farewell to unsustainable, costly bottled water – our chilled water products offer hydration for employees, giving you happy, productive staff and a greener business – for a fraction of the cost.

ChillTap Extra

FILTERED: **CHILLED AMBIENT**
CAPACITY: 140 GLASSES/HOUR

STANDARD



CHROME

CHILLTAP EXTRA CAN BE INSTALLED OVER SINK OR OPTIONAL FONT



ChillTap

FILTERED: **CHILLED**
CAPACITY: 140 GLASSES/HOUR

STANDARD



CHROME

CHILLTAP CAN BE INSTALLED OVER SINK OR OPTIONAL FONT



FilterTap

FILTERED: **AMBIENT**

STANDARD



CHROME

FILTERTAP CAN BE INSTALLED OVER SINK OR OPTIONAL FONT



Zip warranty

The Zip warranty guarantees the workmanship and quality of the system is up to the exacting standards you expect from a Zip product.

Residential HydroTap Base Model

Two year on site parts and labour warranty, which covers the whole system.*



Residential HydroTap G4

Three year on site parts and labour warranty, which covers the whole system, followed by a further two year warranty on the boiling tank only, excluding breakdowns caused by scale build-up.*



Commercial HydroTap G4

Two year on site parts and labour warranty, which covers the whole system, plus a further three years boiling tank only, excluding breakdowns caused by scale build-up.*



HydroChill range

Two year on site parts and labour warranty, which covers the whole system.*



ChillTap and FilterTap

One year on site parts and labour warranty, which covers the whole system.*



Hydroboil and Hydroboil Plus

Two year on site parts and labour warranty, which covers the whole system.*



Econoboil

One year on site parts and labour warranty, which covers the whole system.*



*Terms and conditions apply.

Specify Zip HydroCare[®] for your client's peace of mind

HydroCare is our stress-free preventative maintenance plan, which will keep Zip products in the best possible working condition throughout their life, giving complete peace of mind.

Just like when you buy a car or invest in a new boiler, Zip appliances will benefit from regular service intervals to maintain high performance levels and to keep the water it dispenses tasting great.

Rather than having to worry about essential servicing and filter changes, HydroCare has it all covered, leaving users to enjoy their Zip product for many years to come.



Why choose HydroCare[®]?

<p>01 Fast and reliable</p> <p>We have a fleet of over 80 fully trained, directly employed engineers across the UK – at least one based in every county.</p>	<p>02 Save money</p> <p>HydroCare saves you money with every service while ensuring your product maintains its performance through its life.</p>
<p>03 Pure tasting water</p> <p>Regular filter changes, sanitisation and maintenance will ensure your Zip product continues to deliver pure-tasting water.</p>	<p>04 Peace of mind</p> <p>Take one thing off the to-do list with pre-scheduled services and filter changes.</p>
<p>05 Flexible</p> <p>HydroCare can be tailored to meet the exact needs of your home or business.</p>	<p>06 Expertise</p> <p>With almost 70 years' experience, Zip Water UK is the most trusted name in drinking water solutions.</p>

Zip CPD seminars

At Zip Water UK we are committed to providing high quality training to industry professionals. Our accredited Continuing Professional Development (CPD) seminars allow us to share our expertise across many topics, including drinking water solutions, hot water systems, sustainability, office design and improving the workplace. We want to help you to understand the issues and regulations surrounding these subjects, which will ultimately improve the homes, workplaces and communities you create.

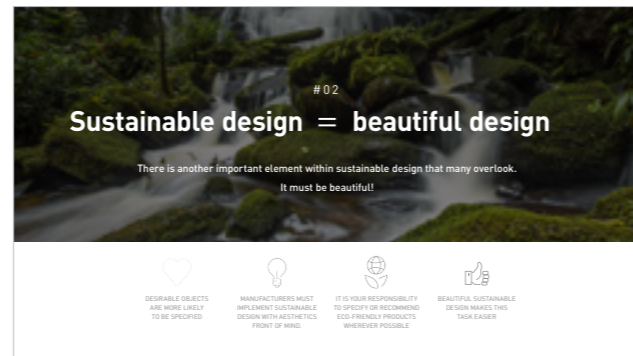
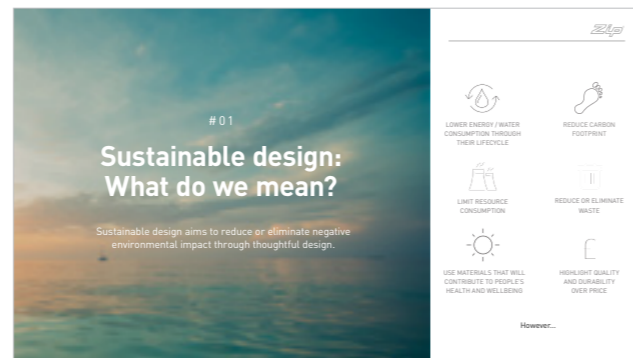


Sustainable design and the UK's bottled water dilemma

In this CPD we examine the concept of sustainable design, which aims to reduce or eliminate negative impact on the environment and the people who live in it.

With a focus on drinking water, we discuss the importance of hydration and the effect that poor drinking water solutions can have in terms of sustainability and wellbeing – especially when it comes to the modern scourge of plastic bottles. And most importantly, why functional, sustainable products should also be beautiful.

To book this CPD seminar or find out more about the library of CPDs we provide, please visit specify.zipwater.co.uk



Accreditations and regulations



WRAS
The Water Regulations Advisory Scheme (WRAS) is a conformance mark that demonstrates that an item complies with the high standards set out by the 1999 UK water regulations.

The WRAS logo certifies that our drinking water systems are safe to use in commercial and residential settings.



CE
All Zip Water UK systems have been fully tested and comply with EU safety, health and environmental requirements.



NSF
Our 0.2 micron MicroPurity filter has been tested and approved according to NSF/ANSI Standards 42 and 53, evaluating the safety and structural integrity of point-of-use/point-of-entry (POU/POE) drinking water filtration systems and certifying the health and safety of drinking water.

Standard 42 covers aesthetic (taste and odour, chlorine, particulate) claims, while Standard 53 addresses specific health-related contaminants that may be present in drinking water, such as microbiological (including filterable cysts) or chemical (including pesticides and lead).

Equality Act compliant
Whether refurbishment or new build, architects, contractors and facilities managers are expected to ensure high quality disabled access, no matter the size of the business. We offer systems and accessories that will comply with The Equality Act 2010, Building Regulations Document Part M, BS8300 and the National Planning Framework. Speak to the experts at Zip for best-practice recommendations.

BREEAM®

BREEAM compliant
An increasing number of UK construction projects are being considered for BREEAM accreditation. BREEAM (The Building Research Establishment Environmental Assessment Method) was first published by the Building Research Establishment (BRE) in 1990 and is the world's longest established method of assessing, rating, and certifying the sustainability of buildings.

Our drinking water systems all contribute to attaining credits within the Water section of the BREEAM UK New Construction 2018 guidelines, helping a building to achieve its overall BREEAM rating.

RoHS

RoHS compliant
All materials involved in Zip HydroTap manufacture comply with the European Restriction of Hazardous Substances Directive 2011/65/EC.



Red List compliant
Our systems are designed to meet the sustainable initiatives of the Living Building Challenge by eliminating prohibited materials shown on the LBC Red List.



Environmental Product Declaration (EPD)
An EDP is an ISO standardised tool to communicate the sustainability of a product or system. Voluntarily developed, it contains quality-assured and comparable information regarding the environmental performance of products. You can download ours via the zipwater.co.uk website.



Sectors

Whether you're working on a new build or a refurbishment, we have the drinking water solution to match your exact requirements. Every application has its own challenges. We know that the needs of a multi-story office can differ greatly to that of a hospital or café, and you can be confident that this expertise is right at your fingertips.

We invest in understanding your industry and its regulations, making sure you always specify the right solution.



Offices and workplaces

We're a one stop shop for convenient and efficient WRAS approved office drinking water systems, whether you're specifying for an SME or a large blue chip business. Our experts can tailor a bespoke solution that caters for any number of staff, from two to 2000 or more.

We know it's no longer enough to deliver high performance, functional products – the contemporary office calls for products that look great too. That's why we offer the widest choice of designs and finishes on the market.

And with sustainability at the top of the agenda for many businesses, our high capacity drinking water systems dispense unlimited volumes of highly filtered water, so plastic bottles can become a thing of the past.

Healthcare

Patient health and wellbeing has to be at the centre of any healthcare specification. Over the years we have worked closely with a number of NHS Trusts and private hospitals, developing our product range to ensure we have the perfect drinking water solutions for these high demand environments. Hard working, energy and cost efficient systems are required to stand the test of time and heavy use, whether by staff members, patients or visitors.

Whether in a hospital, staff room, or mental healthcare application, safety and ease of use are also an important consideration. We ensure that our products have Equality Act compliant options and are simple to operate for the elderly, infirm and disabled.

Education

From schools to universities and training facilities, the provision of drinking water is fundamental to the health, wellbeing and productivity of students.

The School Premise Regulations 2012 state that good quality drinking water must be readily accessible, with no scalding risk from hot water, and it is generally preferable if drinking water supplies are connected directly to the cold water mains. Our experts can help you meet these regulations with our range of cost effective mains-fed drinking water solutions.

Thanks to our systems' unique safety features and simple operational controls, students and employees alike will benefit from pure-tasting filtered drinking water in an instant, without the worry of spluttering steam or scalding.

Industrial and institutions

In settings where safety, security and durability are top of the agenda, we have a number of suitable products to do the job. The HydroTap Industrial, for example, is designed specifically for ease of use and robustness. It is made to last, even in the most demanding environments, reliably delivering a choice of instant filtered boiling, chilled and sparkling water via large, easy to use controls.

In high security environments, our market-leading safety technology will give clients complete peace of mind and protect the end user from harm. Our hardwearing, reliable drinking water systems are WRAS approved and suitable for high risk locations, with features like portion control allowing for management of the amount of water dispensed and high strength anti-vandal design.

Retail

For retail applications, we know that both customers and staff need to be considered. From a front of house perspective, we have a wide range of solutions catering for any space and capacity requirement. While being able to withstand high volume use, these systems also look professional and stylish, adding value to the customer's experience with the brand in question.

The busy retail environment calls for systems that will allow staff to make the most of their breaks, without having to wait for kettles to boil or purchase environmentally harmful bottled water. Our range of drinking water systems include dispensers that rapidly deliver filtered boiling, chilled and sparkling water, while being easy to clean and maintain.

Hotels, restaurants, bars and cafés

Our reliable, functional products can deliver limitless amounts of filtered drinking water without letting staff and customers down during the lunchtime rush. Front of house, ultimate convenience and speed is matched by our wide range of designs and finishes to blend beautifully with any interior. Our high capacity filtered drinking water systems can be used alongside stylish branded glass bottles, removing the need to buy-in expensive and unsustainable pre-packaged plastic bottles for table water.

From a catering perspective, kitchen staff will wonder how they ever lived without instant boiling, chilled and sparkling water. Speeding up many cooking processes, whether it's cooking beautifully al dente pasta or blanching vegetables, results in consistent, great tasting food, fast.

Sectors

Leisure, sports and stadia

From golf clubs and local sports facilities to international stadia and events venues, we know that whatever the size of the site, it is crucial to provide energy and water efficient drinking water systems that will deliver consistently, keeping costs down and large numbers of customers happy.

Whether in a kiosk, conference centre or arena, the ability to serve hundreds of people in a small window of time is key to keeping queue levels to a minimum while upping return on investment. We've developed a number of high capacity systems that can deliver instant boiling, chilled and sparkling water with a fast fill rate and reliable performance. And for areas that are tight on space, we have a wide range of wall mounted, counter top and under-counter solutions to fit the bill.

Residential

Whether you're specifying for a one-off luxury penthouse or a large scale development, we have models and price points to suit all client needs.

The design of houses and apartments requires knowledge of the lifestyle of the tenant or homeowner and it's no secret that including must-have appliances and high quality finishes can help secure that final sale. Boiling and chilled water taps are no longer seen as a luxury and are growing in popularity year-on-year, giving homeowners the convenience they need to lead a healthier life when time is short.

Our HydroTap design range gives you the choice of three designs and 12 on-trend finishes, including gunmetal and brushed gold, enabling you to create that aspirational look that makes a property truly desirable.

Local authority and public buildings

The nature of public and local authority buildings is that they are used by many different people, all with their own needs. In high footfall areas, whether it's a transport interchange, community-based services or council building, the requirement for durability and longevity are most notable.

Against a backdrop of tighter public sector funding, any work to improve services must be coupled with a focus on cost saving and sustainable solutions. Energy performance is key to specifications in this industry, as all public buildings larger than 500m² must display a Display Energy Certificate (DEC), and we offer the most advanced energy efficient technology on the market to meet this need.

Regulations for providing drinking water in the workplace

The law requires that you provide drinking water and ensure that:

- It is free from contamination and is preferably from the public water supply
- It is easily accessible by all employees
- There are adequate supplies taking into consideration the temperature of the working environment and types of work activity
- Cups or a drinking fountain are provided

There's a Zip HydroTap for every application and environment



Case study: Sleeper Magazine HQ

Leading voice on global hotel design, development and architecture, *Sleeper Magazine* is a beautifully designed publication – requiring an equally stunning office space to inspire its staff. Creative design studio NoChintz was brought on board to create a stylish yet functional work environment, which included the addition of a new HydroTap.

The *Sleeper Magazine* office is located in the iconic heritage listed Strawberry Studios, Stockport, once frequented by Joy Division, Paul McCartney, The Stone Roses and The Smiths to name a few. Being sympathetic to the history of the building was important to NoChintz, who designed the space to include subtle features that hark back to the 90’s music industry, with a modern twist.



Image
HydroTap Classic
at *Sleeper Magazine*

CLIENT
SLEEPER MAGAZINE
SECTOR
COMMERCIAL
LOCATION
STOCKPORT, ENGLAND
PRODUCT
ZIP HYDROTAP CLASSIC

By assessing how the office works day-to-day, NoChintz’s workspace team was able to build a co-working concept to encourage conversations between colleagues with zoned areas, flexible working solutions and comfortable breakout spaces.

A new large kitchen area was created, making the most of the office’s open plan design. Light, bright and contemporary in style, the kitchen has become an important hub for staff. A Zip HydroTap Classic was chosen to keep the *Sleeper* team powered up with filtered boiling water for tea and coffee, and filtered chilled and sparkling water.

“It’s sleek, clean and incredibly convenient compared to the kettle – we don’t have to queue for drinks anymore, so we can get on with more important things!”

Becky Archacki, commercial director, *Sleeper Magazine*

Case study: Pip McCormac

EDITOR OF RED MAGAZINE AND AUTHOR
OF THE HERB AND FLOWER COOKBOOK

When interiors and food editor Pip McCormac made the decision to move back into his flat after renting it out for seven years, he knew it would take more than a lick of paint to make it feel like home again.

“I remember walking through the door and just feeling so deflated and uninspired. I loved my flat but couldn’t imagine how it would now be the space to get my creative juices flowing!”

Not only has Pip been a top journalist for the past 15 years, writing for the likes of Red, Elle Decoration and The Sunday Times Style Magazine, he is also the author of a cookbook. The Herb and Flower cookbook was born from Pip’s love of windowbox fayre, growing a whole host of plants and flowers – all for eating. With this in mind, the flat’s kitchen no longer suited Pip’s needs. Small and separate from the living room, it wasn’t conducive to social evenings cooking for friends.



CLIENT
PIP MCCORMAC
SECTOR
RESIDENTIAL
LOCATION
LONDON, ENGLAND
PRODUCT
**ZIP HYDROTAP ARC
AND MIXER TAP**

It was only after staying with friends who had a Zip HydroTap, that Pip realised his new kitchen wouldn’t be complete without one.

“My filtered boiling, chilled and sparkling HydroTap is used all the time. The chilled water encourages me to drink more water and the instant boiling water makes cooking processes so quick, especially when combined with my induction hob. Of course, I had to have a gold one to go with my colour scheme, and I also went with a matching mixer tap to complete the look.”

“I’d never really considered that a boiling tap could have such an impact on daily life, but after using one for a weekend I was hooked!”

Pip McCormac, Journalist and Author



Image
Pip McCormac with his Zip HydroTap Arc and matching Mixer Tap

Specification made easy

With our online portal it has never been easier to select the system to fit your specification. You have a full resource library at your fingertips, where you can simply search, select and download BIM files, specification sheets and product literature.

The portal has everything you need in one place, from information about sustainability and regulations to a wide range of case studies, making it an indispensable tool for specifiers. Login from anywhere and find what you need, fast.

Visit specify.zipwater.co.uk to get started.



BIM FILES

SPECIFICATION SHEETS

PRODUCT LITERATURE

Search the Zip Portal...



Technical data

Commercial HydroTap	92
Residential HydroTap	96
Mixer Tap	99
Tap and font dimensions	101
Commercial under-counter units	102
Residential under-counter units	103
HydroChill	105
HydroChill over-counter units	107
HydroChill under-counter units	109
Hydroboil	110
ChillTap and FilterTap	110



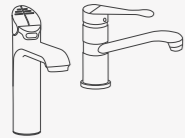
Commercial HydroTap

CLASSIC



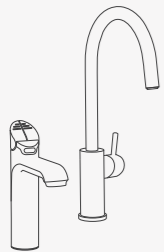
MODEL CODE	NO. PEOPLE	WATER OPTIONS	GLASSES PER HOUR			SIZE* W X D X H (mm)
			CUPS PER HOUR	CHILLED	SPARKLING	
HT1760UK	20		100	75	75	338 x 461 x 335
HT1761UK	40		140*	75	75	338 x 461 x 335
HT1762UK	60		160	175	175	450 x 470 x 335
HT1764UK3	100		240*	175	175	450 x 470 x 335
HT1764UK	20		100	75	-	280 x 470 x 335
HT1799UK	40		140	75	-	280 x 470 x 335
HT1704UK	60		160	175	-	450 x 470 x 335
HT1705UK	100		240*	175	-	450 x 470 x 335
HT1708UK	60		160	-	-	280 x 313 x 335
HT1709UK	100		240*	-	-	280 x 313 x 335
HT1706UK	60		160	-	-	280 x 313 x 335
HT1707UK	100		240*	-	-	280 x 313 x 333
HT1765UK	100		-	175	175	336 X 476 X 335
HT1711UK	100		-	175	-	336 x 480 x 335

CLASSIC WITH CLASSIC MIXER



HT1775UK	60		160	175	175	450 x 470 x 335
HT1776UK	100		240*	175	175	450 x 470 x 335
HT1723UK	60		160	175	175	450 x 470 x 335
HT1724UK	100		240*	175	175	450 x 470 x 335
HT1737UK	60		160	-	-	280 x 313 x 335
HT1738UK	100		240*	-	-	280 x 313 x 335
HT1731UK	60		160	-	-	280 x 313 x 335
HT1732UK	100		240*	-	-	280 x 313 x 335

CLASSIC WITH ARC MIXER

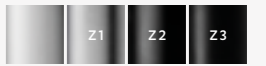


HT1875UK	60		160	175	175	450 x 470 x 335
HT1876UK	100		240*	175	175	450 x 470 x 335
HT1823UK	60		160	175	175	450 x 470 x 335
HT1824UK	100		240*	175	175	450 x 470 x 335
HT1837UK	60		160	-	-	280 x 313 x 335
HT1838UK	100		240*	-	-	280 x 313 x 335
HT1831UK	60		160	-	-	280 x 313 x 335
HT1832UK	100		240*	-	-	280 x 313 x 335

Model code listed above is for chrome finish. Please refer right for the Z code of your chosen finish. For example, when ordering HydroTap Classic, boiling, chilled and sparkling in matt black use code HT1760Z3UK

STANDARD

AVAILABLE IN:

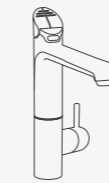


CLASSIC WITH CUBE MIXER



MODEL CODE	NO. PEOPLE	WATER OPTIONS	GLASSES PER HOUR			SIZE* W X D X H (mm)
			CUPS PER HOUR	CHILLED	SPARKLING	
HT1975UK	60		160	175	175	394 x 464 x 335
HT1976UK	100		240*	175	175	394 x 464 x 335
HT1923UK	60		160	175	175	450 x 470 x 335
HT1924UK	100		240*	175	175	450 x 470 x 335
HT1937UK	60		160	-	-	280 x 313 x 335
HT1938UK	100		240*	-	-	280 x 313 x 335
HT1931UK	60		160	-	-	280 x 313 x 335
HT1923UK	100		240*	-	-	280 x 313 x 335

ALL-IN-ONE CLASSIC



VENTED (COLD FEED ONLY)

HT1771UK	60		160	175	175	450 x 470 x 335
HT1772UK	100		240*	175	175	450 x 470 x 335
HT1715UK	40		140*	75	-	450 x 470 x 335
HT1716UK	60		160	175	-	450 x 470 x 335
HT1717UK	100		240*	175	-	450 x 470 x 335

NON-VENTED (USING HOT & COLD FEED)

HT1766UK	60		160	175	175	450 x 470 x 335
HT1767UK	100		240*	175	175	450 x 470 x 335
HT1773UK	20		100	75	75	280 x 470 x 335
HT1774UK	40		140*	75	-	280 x 470 x 335
HT1768UK	60		160	175	-	450 x 470 x 335
HT1769UK	100		240*	175	-	450 x 470 x 335

INDUSTRIAL IS**



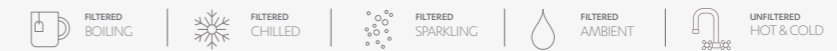
HT1744UK	60		160	175	-	450 x 470 x 335
HT1745UK	100		240*	175	-	450 x 470 x 335

INDUSTRIAL TT



HT1747UK	60		160	175	-	450 x 470 x 335
HT1748UK	100		240*	175	-	450 x 470 x 335

KEY TO ICONS



*Size relates to command centre - revert to installation diagram for clearance and ventilation

**140 and 240 boiling cup per hour models include additional Booster and require 2x13 amp power supply. Refer to zipwater.com for full specification details.

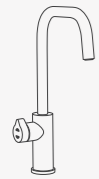
Commercial HydroTap

ARC



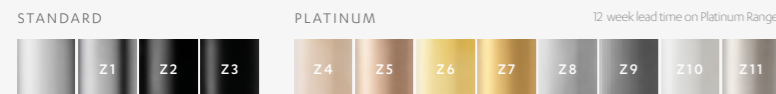
MODEL CODE	NO. PEOPLE	WATER OPTIONS	GLASSES PER HOUR			SIZE* W X D X H (mm)
			CUPS PER HOUR	SNOW	BUBBLES	
HT2762UK	60		160	175	175	450 x 470 x 335
HT2763UK	100		240*	175	175	450 x 470 x 335
HT2704UK	60		160	175	175	450 x 470 x 335
HT2705UK	100		240*	175	175	450 x 470 x 335
HT2708UK	60		160	-	-	280 x 313 x 335
HT2709UK	100		240*	-	-	280 x 313 x 335
HT2706UK	60		160	-	-	280 x 313 x 335
HT2707UK	100		240*	-	-	280 x 313 x 335
HT2765UK	100		-	175	175	336 x 476 x 335
HT2711UK	100		-	175	-	336 x 480 x 335

CUBE



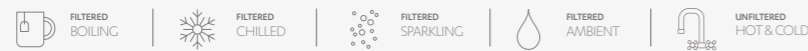
HT3762UK	60		160	175	175	450 x 470 x 335
HT3763UK	100		240*	175	175	450 x 470 x 335
HT3704UK	60		160	175	175	450 x 470 x 335
HT3705UK	100		240*	175	175	450 x 470 x 335
HT3708UK	60		160	-	-	280 x 313 x 335
HT3709UK	100		240*	-	-	280 x 313 x 335
HT3706UK	60		160	-	-	280 x 313 x 335
HT3707UK	100		240*	-	-	280 x 313 x 335
HT3765UK	100		-	175	175	336 x 476 x 335
HT3711UK	100		-	175	-	336 x 480 x 335

AVAILABLE IN:



Model code listed above is for chrome finish. Please refer above for the Z code of your chosen finish. For example, when ordering HydroTap Arc, boiling, chilled and sparkling in brushed gold use code HT2762Z7UK.

KEY TO ICONS



*Size relates to command centre - revert to installation diagram for clearance and ventilation

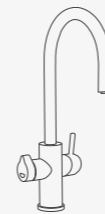
**140 and 240 boiling cup per hour models include additional Booster and require 2 x 13 amp power supply. Refer to zipwater.co.uk for full specification details.

ELITE



MODEL CODE	NO. PEOPLE	WATER OPTIONS	GLASSES PER HOUR			SIZE* W X D X H (mm)
			CUPS PER HOUR	SNOW	BUBBLES	
HT4762UK	60		160	175	175	450 x 470 x 335
HT4763UK	100		240*	175	175	450 x 470 x 335
HT4704UK	60		160	175	-	450 x 470 x 335
HT4705UK	100		240*	175	-	450 x 470 x 335
HT4708UK	60		160	-	-	450 x 470 x 335
HT4709UK	100		240*	-	-	450 x 470 x 335
HT4706UK	60		160	-	-	280 x 313 x 335
HT4707UK	100		240*	-	-	280 x 313 x 335
HT4765UK	100		-	175	-	336 x 476 x 335
HT4711UK	100		-	175	-	336 x 480 x 335

ALL-IN-ONE CELSIUS ARC



REQUIRES HOT & COLD FEED

MT1768UK	60		160	175	175	450 x 470 x 335
MT1769UK	100		240*	175	175	450 x 470 x 335
MT1713UK	60		160	175	-	394 x 464 x 335
MT2714UK	100		240*	175	-	394 x 464 x 335

CELSIUS ARC



MT2760UK	60		160	-	-	394 x 464 x 335
MT2761UK	100		240*	-	-	394 x 464 x 335
MT2762UK	100		-	175	175	280 x 470 x 335
MT2763UK	100		-	175	-	280 x 476 x 335

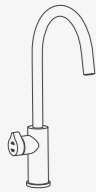
CELSIUS CUBE



MT3760UK	60		160	175	-	394 x 464 x 335
MT3761UK	100		240*	175	-	394 x 464 x 335
MT2762UK	100		-	175	175	280 x 476 x 335
MT2763UK	100		-	175	-	280 x 480 x 335

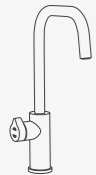
Residential HydroTap

ARC



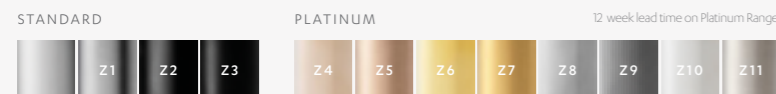
MODEL CODE	WATER OPTIONS	SIZE* W X D X H (mm)
HT2783UK		338 x 461 x 335
HT2784UK		280 x 470 x 335
HT2787UK		280 x 405 x 335
HT2788UK		280 x 405 x 335
HT2787UK		280 x 313 x 335
HT2786UK		280 x 313 x 335
HT2685UK BASE MODEL		216 x 272 x 335

CUBE



MODEL CODE	WATER OPTIONS	SIZE* W X D X H (mm)
HT3783UK		338 x 461 x 335
HT3784UK		280 x 470 x 335
HT3787UK		280 x 405 x 335
HT3788UK		280 x 405 x 335
HT3785UK		280 x 313 x 335
HT3786UK		280 x 313 x 335
HT3685UK BASE MODEL		216 x 272 x 335

AVAILABLE IN:



Model code listed above is for chrome finish. Please refer above for the Z code of your chosen finish.
For example, when ordering HydroTap Arc, boiling, chilled and sparkling in brushed gold use code HT2783Z5UK.
Please note base model is not available in Platinum finishes.

ELITE



MODEL CODE	WATER OPTIONS	SIZE* W X D X H (mm)
HT4783UK		338 x 461 x 335
HT4784UK		280 x 470 x 335
HT4787UK		280 x 405 x 335
HT4788UK		280 x 405 x 335
HT4785UK		280 x 313 x 335
HT4786UK		280 x 313 x 335

CELSIUS
ALL-IN-ONE



MODEL CODE	WATER OPTIONS	SIZE* W X D X H (mm)
MT2790UK		338 x 461 x 335
MT2792UK		280 x 470 x 335
MT2794UK		280 x 313 x 335

CELSIUS ARC



MODEL CODE	WATER OPTIONS	SIZE* W X D X H (mm)
MT2787UK		280 x 470 x 335
MT2788UK		280 x 405 x 335
MT2786UK		280 x 313 x 335
MT2686UK BASE MODEL		216 x 272 x 335

CELSIUS CUBE



MODEL CODE	WATER OPTIONS	SIZE* W X D X H (mm)
MT3787UK		280 x 470 x 335
MT3788UK		280 x 405 x 335
MT3786UK		280 x 313 x 335
MT3686UK BASE MODEL		216 x 272 x 335

Residential HydroTap

CLASSIC



MODEL CODE	WATER OPTIONS	SIZE* W X D X H (mm)
HT2783UK		338 x 461 x 335
HT1784UK		280 x 405 x 335
HT1787UK		280 x 470 x 335
HT1788UK		280 x 405 x 335
HT1785UK		280 x 313 x 335
HT1786UK		280 x 313 x 335

CLASSIC ALL-IN-ONE



MAINS

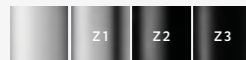
MODEL CODE	WATER OPTIONS	SIZE* W X D X H (mm)
HT1790UK		338 x 461 x 335
HT1792UK		280 x 470 x 335

VENTED

MODEL CODE	WATER OPTIONS	SIZE* W X D X H (mm)
HT1789UK		338 x 461 x 335
HT1791UK		280 x 470 x 335

AVAILABLE IN:

STANDARD



Model code listed above is for chrome finish. Please above for the Z code of your chosen finish.
For example, when ordering HydroTap Classic, boiling, chilled and sparkling in matt black use code HT1783Z3UK.
Please note base model is not available in Platinum finishes.

Mixer Taps

MIXER TAP ARC



NON-VENTED - REQUIRES HOT AND COLD FEED

MODEL CODE	HOT & COLD	FEED	FINISH
93867UK		MAINS	BRIGHT CHROME
93871UK	●	MAINS	BRUSHED CHROME
93875UK	●	MAINS	GLOSS BLACK
93879UK	●	MAINS	MATT BLACK
93885UK	●	MAINS	ROSE GOLD
94278UK	●	MAINS	BRUSHED ROSE GOLD
94284UK	●	MAINS	GOLD
94290UK	●	MAINS	BRUSHED GOLD
94296UK	●	MAINS	PLATINUM
94302UK	●	MAINS	GUNMETAL
94308UK	●	MAINS	NICKEL
94314UK	●	MAINS	BRUSHED NICKEL

MIXER TAP CUBE



NON-VENTED - REQUIRES HOT AND COLD FEED

93868UK	●	MAINS	BRIGHT CHROME
93872UK	●	MAINS	BRUSHED CHROME
93876UK	●	MAINS	GLOSS BLACK
93880UK	●	MAINS	MATT BLACK
93886UK	●	MAINS	ROSE GOLD
94279UK	●	MAINS	BRUSHED ROSE GOLD
94285UK	●	MAINS	GOLD
94291UK	●	MAINS	BRUSHED GOLD
94297UK	●	MAINS	PLATINUM
94303UK	●	MAINS	GUNMETAL
94309UK	●	MAINS	NICKEL
94315UK	●	MAINS	BRUSHED NICKEL

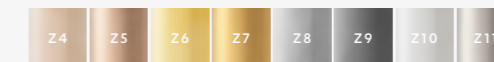
AVAILABLE IN:

STANDARD

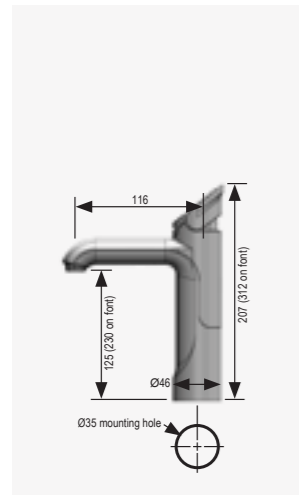


PLATINUM

12 week lead time on Platinum Range



HydroTap dimensions (commercial and residential)



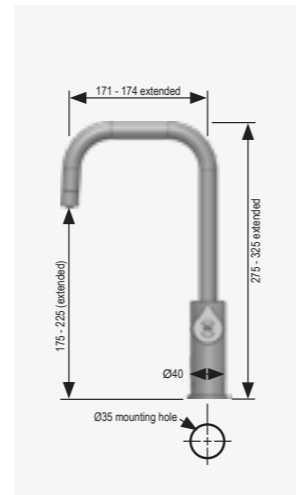
CLASSIC



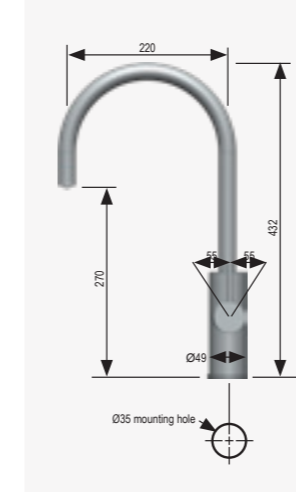
ELITE



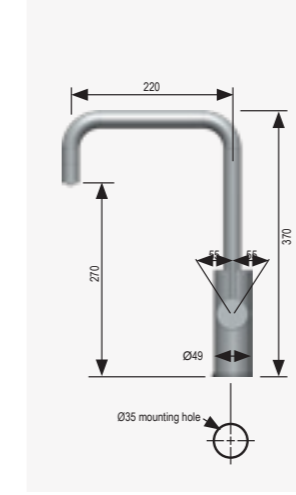
ARC



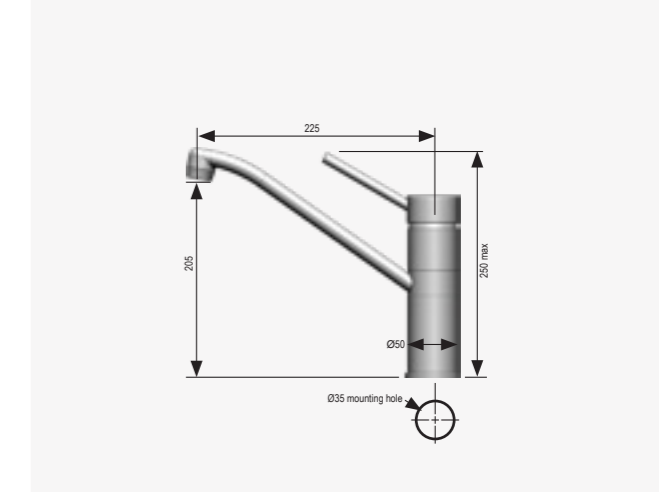
CUBE



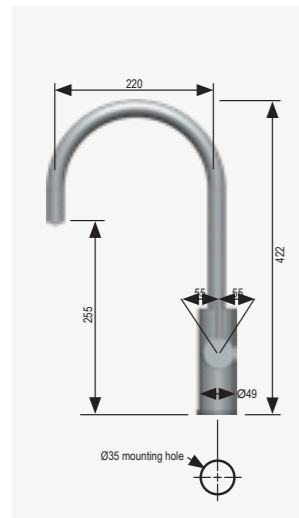
ARC MIXER



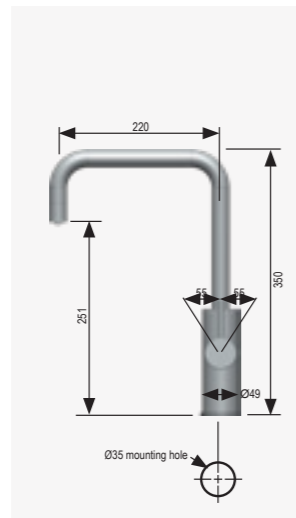
CUBE MIXER



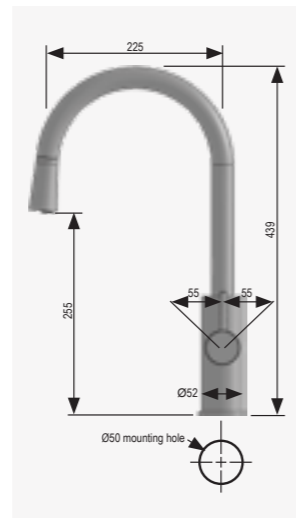
CLASSIC MIXER TAP



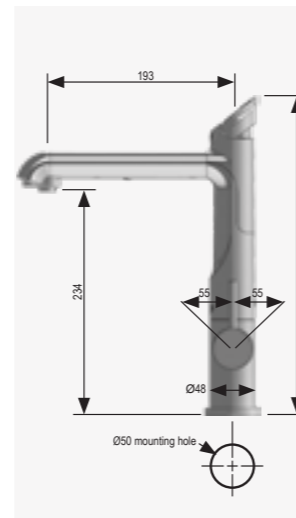
CELSIUS ARC



CELSIUS CUBE



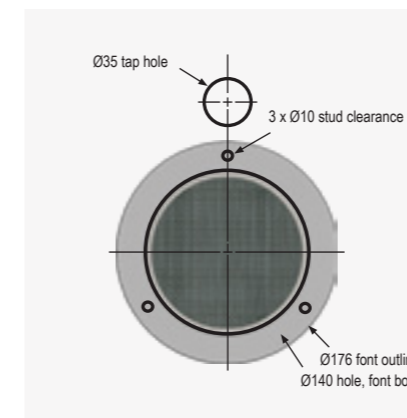
ALL-IN-ONE CELSIUS ARC



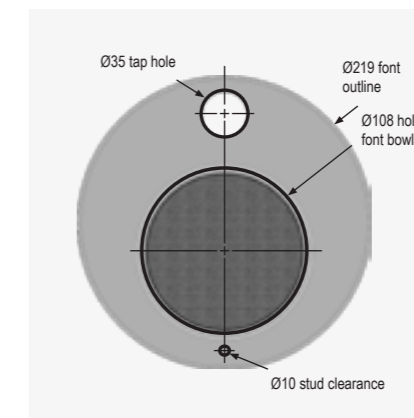
CLASSIC ALL-IN-ONE

Mixer Tap dimensions

HydroTap font dimensions



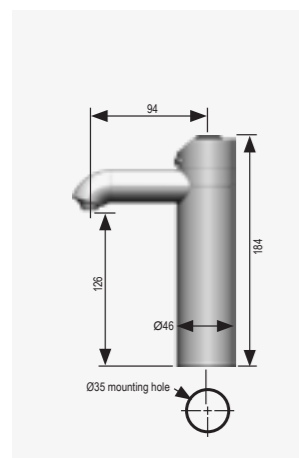
STANDALONE FONT



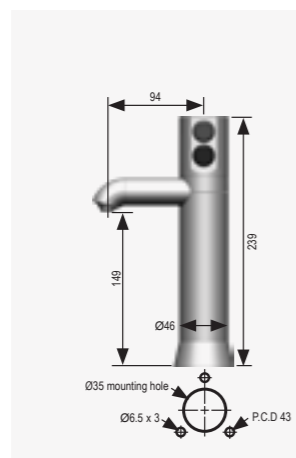
INTEGRATED FONT



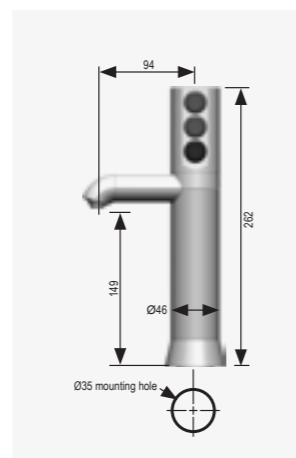
INDUSTRIAL FONT



CLASSIC INDUSTRIAL TOP TOUCH



CLASSIC INDUSTRIAL SIDE TOUCH - 2 BUTTON

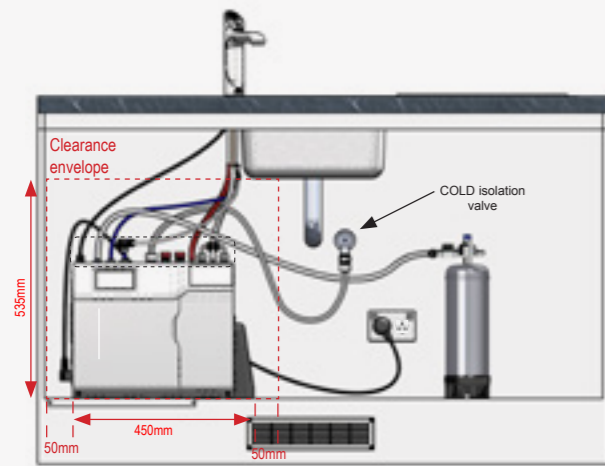


CLASSIC INDUSTRIAL SIDE TOUCH - 3 BUTTON

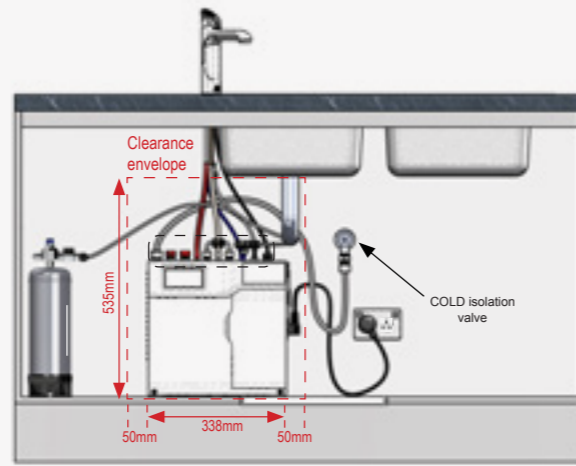
All dimensions nominal, in mm

All dimensions nominal, in mm
Disclaimer: for full installation details please refer to the installation instructions which can be found on the website.

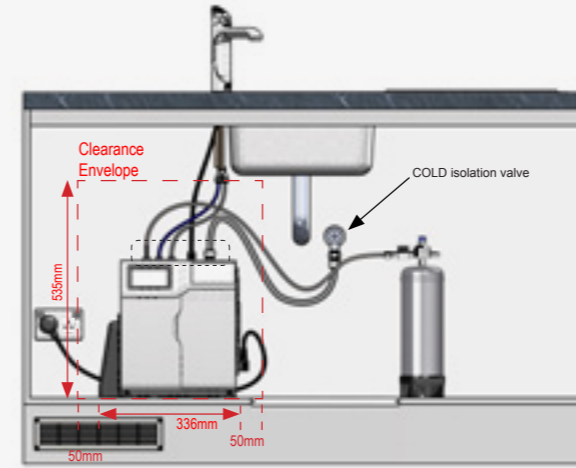
Commercial under-counter units



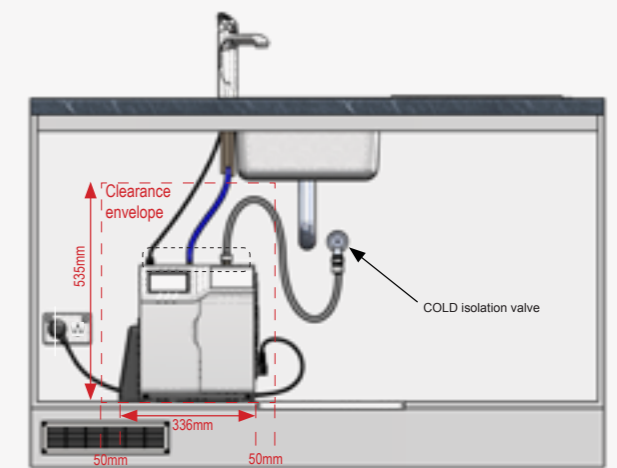
FILTERED **BOILING** | CHILLED | SPARKLING
160 / 175



FILTERED **BOILING** | CHILLED | SPARKLING
100 / 75

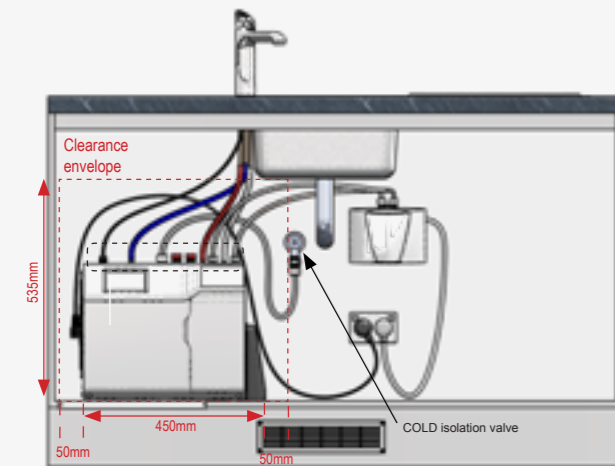


FILTERED **CHILLED** | SPARKLING
175

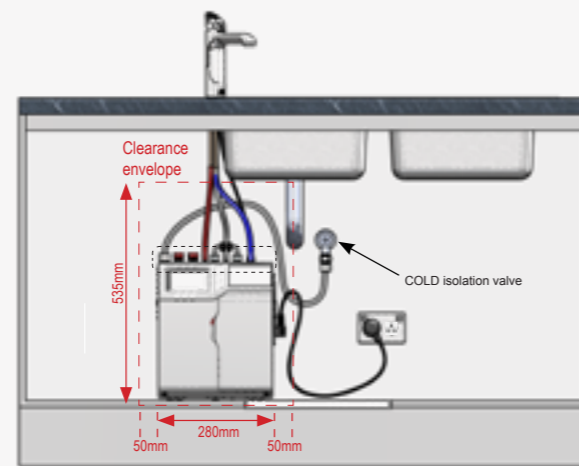


FILTERED **CHILLED**
175

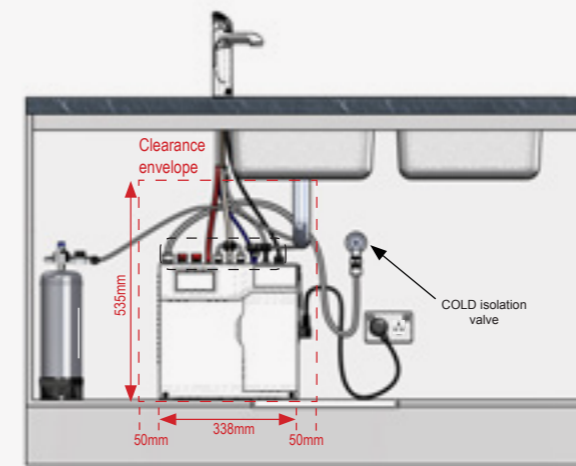
Residential under-counter units



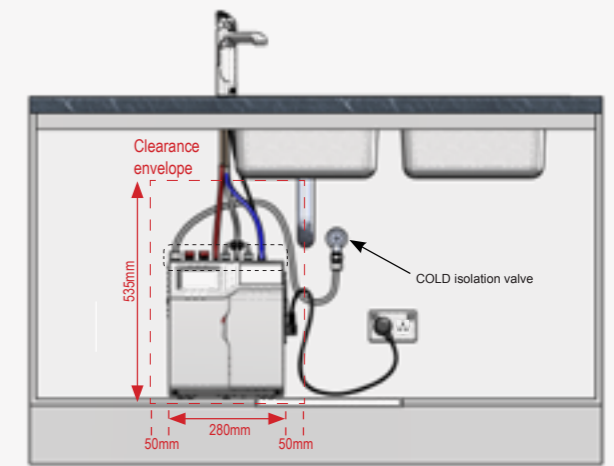
FILTERED **BOILING** | CHILLED
160 / 175



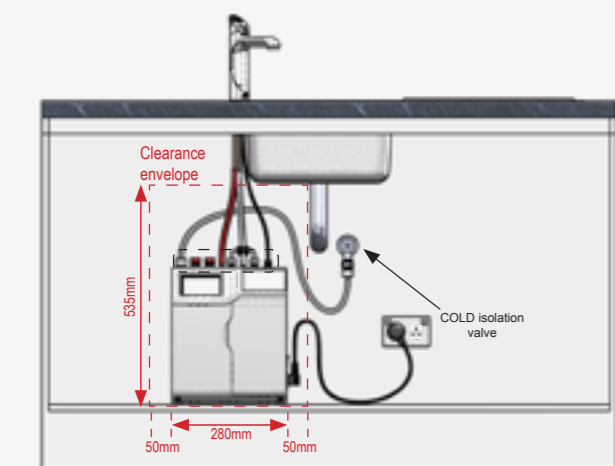
FILTERED **BOILING** | CHILLED
100 / 75



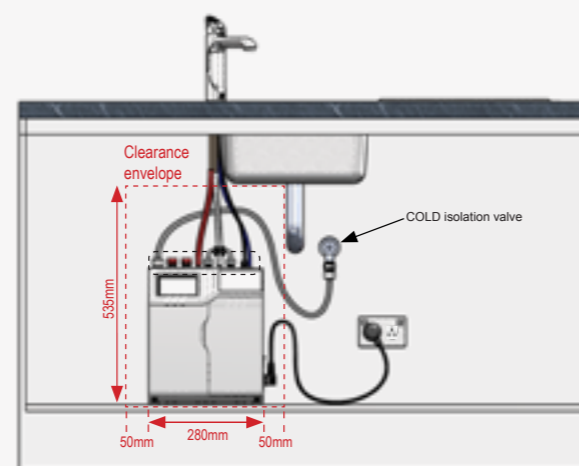
FILTERED **BOILING** | CHILLED | SPARKLING



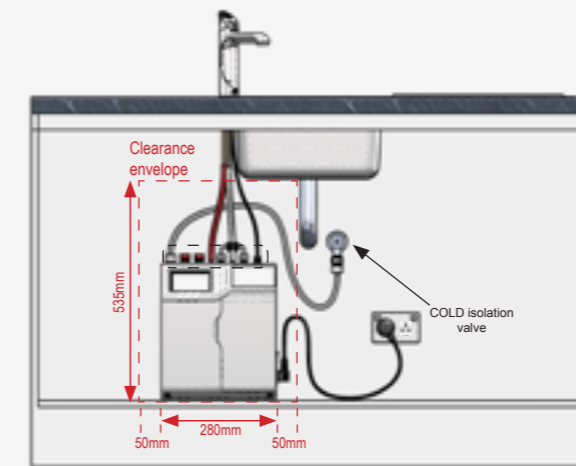
FILTERED **BOILING** | CHILLED



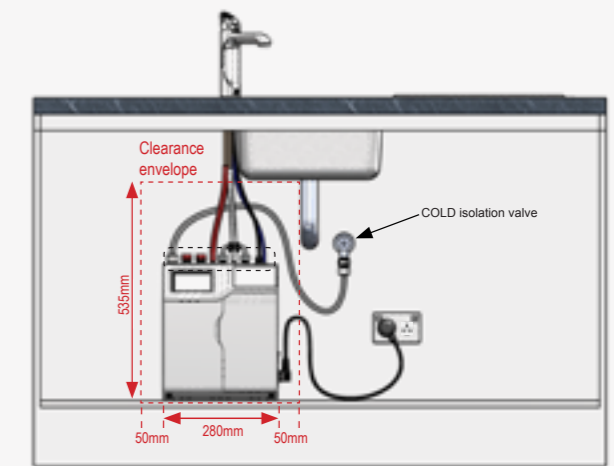
FILTERED **BOILING**
160



FILTERED **BOILING** | AMBIENT
160

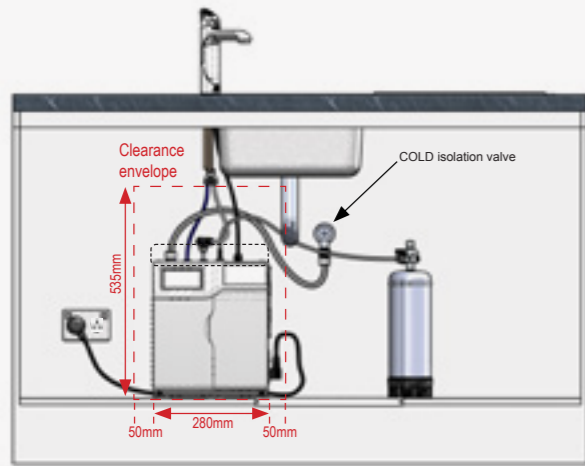


FILTERED **BOILING**

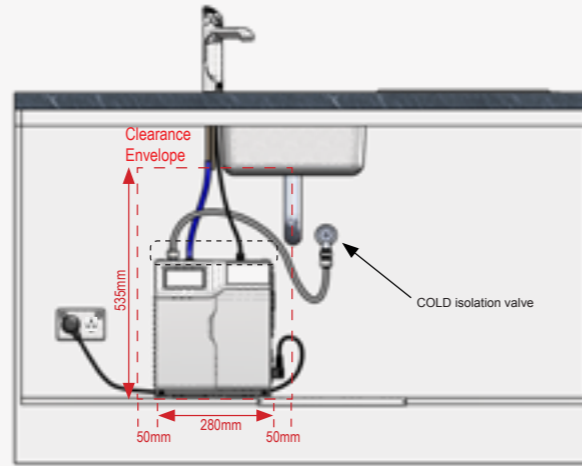


FILTERED **BOILING** | AMBIENT

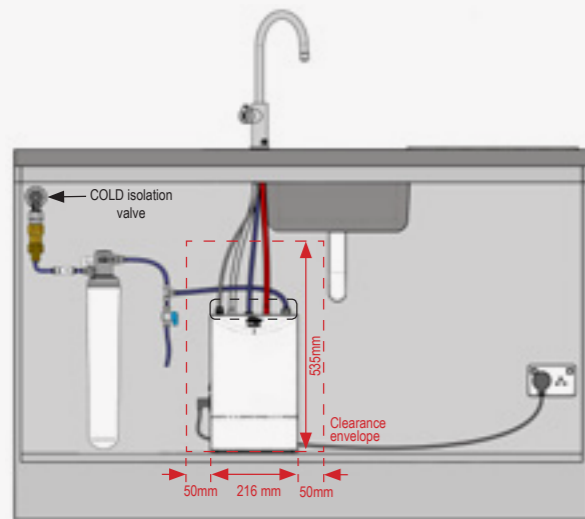
All dimensions nominal, in mm



FILTERED CHILLED | SPARKLING



FILTERED CHILLED



FILTERED BOILING | UNFILTERED AMBIENT
BASE MODEL

HydroChill

HYDROCHILL HC10

MODEL CODE	CAPACITY LITRES PER HOUR	WATER OPTIONS	DESCRIPTION	SIZE W X D X H (mm)
HC10CIT30	30	Chilled, Ambient*	Push Button	261 x 499 x 418
HC10IT30	30	Chilled, Sparkling, Ambient*	Push Button	261 x 499 x 418
HC10ITU30	30	Chilled, Sparkling, Ambient*	Push Button	261 x 499 x 418
HC10CIT45	45	Chilled, Ambient*	Push Button	318 x 499 x 470
HC10IT45	45	Chilled, Sparkling, Ambient*	Push Button	318 x 499 x 470
HC10ITU45	45	Chilled, Sparkling, Ambient*	Push Button	318 x 499 x 470

HYDROCHILL HC20

MODEL CODE	CAPACITY LITRES PER HOUR	WATER OPTIONS	DESCRIPTION	SIZE W X D X H (mm)
HC20CT80	80	Chilled, Ambient*	Tap Dispense	360 x 565 x 566
HC20T80	80	Chilled, Sparkling	Tap Dispense	360 x 565 x 566
HC20CIT80	80	Chilled, Ambient*	Push Button	360 x 565 x 502
HC20IT80	80	Chilled, Sparkling	Push Button	360 x 565 x 502
HC20ITU80	80	Chilled, Sparkling	Push Button UV	360 x 565 x 502
HC20CT150	150	Chilled, Ambient*	Tap Dispense	460 x 606 x 618
HC20T150	150	Chilled, Sparkling	Tap Dispense	460 x 606 x 618
HC20CIT150	150	Chilled, Ambient*	Push Button 1	460 x 606 x 542
HCIT150	150	Chilled, Sparkling	Push Button	460 x 606 x 542
HC20ITU150	150	Chilled, Sparkling	Push Button UV	460 x 606 x 542

Ambient describes the temperature of the water where there is no additional heating or chilling to the incoming cold water supply. You may need to run the tap for a while to get it to a suitable temperature.

For full installation instructions please visit specify.zipwater.co.uk

All dimensions nominal, in mm

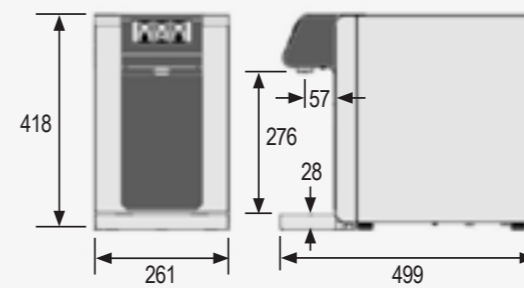
HydroChill

HYDROCHILL HC50

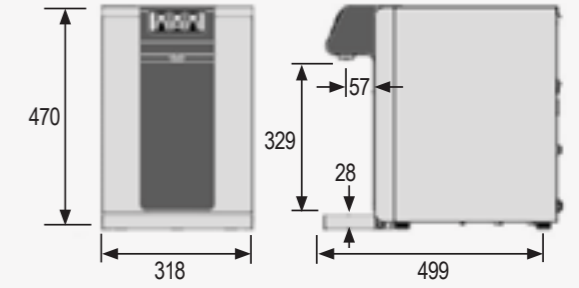
MODEL CODE	CAPACITY LITRES PER HOUR	WATER OPTIONS	DESCRIPTION	SIZE W X D X H (mm)
HC50CT2A30	30	Chilled, Ambient*	2 Spout Tap	260 x 416 x 416
HC50CT2P30	30	Chilled, Ambient*	2 Spout Tap with badge	260 x 416 x 416
HCS0T3A30	30	Chilled, Sparkling, Ambient*	3 Spout Tap	260 x 416 x 416
HCS0T3P30	30	Chilled, Sparkling, Ambient*	3 Spout Tap with badge	260 x 416 x 416
HC50CBIT30	30	Chilled, Ambient	Bridge Button Control	260 x 416 x 416
HC50BITU30	30	Chilled, Sparkling, Ambient*	Bridge Button Control UV	260 x 416 x 416
HCS0T2A30	30	Chilled, Sparkling	2 Spout Tap	260 x 416 x 416
HCS0T2P30	30	Chilled, Sparkling	2 Spout Tap with badge	260 x 416 x 416
HC50CT2A60	60	Chilled, Ambient*	2 Spout Tap	318 x 335 x 547
HC50CT2P60	60	Chilled, Ambient*	2 Spout Tap with badge	318 x 335 x 547
HCS0T3A60	60	Chilled, Sparkling, Ambient*	3 Spout Tap	318 x 335 x 547
HCS0T3P60	60	Chilled, Sparkling, Ambient*	3 Spout Tap with badge	318 x 335 x 547
HC50BIT60	60	Chilled, Sparkling, Ambient*	Bridge Button Control	318 x 335 x 547
HC50BITU60	60	Chilled, Sparkling, Ambient*	Bridge Button Control UV	318 x 335 x 547
HCS0T2A60	60	Chilled, Sparkling	2 Spout Tap	318 x 335 x 547
HCS0T2P60	60	Chilled, Sparkling	2 Spout Tap with badge	318 x 335 x 547
HC50CT2A80	80	Chilled, Ambient	2 Spout Tap	318 x 457 x 554
HC50CT2P80	80	Chilled, Ambient	2 Spout Tap with badge	318 x 457 x 554
HCS0T3A80	80	Chilled, Sparkling, Ambient*	3 Spout Tap	318 x 457 x 554
HCS0T3P80	80	Chilled, Sparkling, Ambient*	3 Spout Tap with badge	318 x 457 x 554
HC50BIT80	80	Chilled, Sparkling, Ambient*	Bridge Button Control	318 x 457 x 554
HC50BITU80	80	Chilled, Sparkling, Ambient*	Bridge Button Control UV	318 x 457 x 554
HC50T2A80	80	Chilled, Sparkling	2 Spout Tap	318 x 457 x 554
HC50T2P80	80	Chilled, Sparkling	2 Spout Tap with badge	318 x 457 x 554
HC50CT2A150	150	Chilled, Ambient	2 Spout Tap	460 x 460 x 608
HC50CT2P150	150	Chilled, Ambient	2 Spout Tap with badge	460 x 460 x 608
HCS0T3A150	150	Chilled, Sparkling, Ambient*	3 Spout Tap	460 x 460 x 608
HCS0T3P150	150	Chilled, Sparkling, Ambient*	3 Spout Tap with badge	460 x 460 x 608
HC50BIT150	150	Chilled, Sparkling, Ambient*	Bridge Button Control	460 x 460 x 608
HC50BITU150	150	Chilled, Sparkling, Ambient*	Bridge Button Control UV 1	460 x 460 x 608
HCS0T2A150	150	Chilled, Sparkling	2 Spout Tap	460 x 460 x 608
HCS0T2P150	150	Chilled, Sparkling	2 Spout Tap with badge	460 x 460 x 608
HC50CT2A280	280	Chilled, Ambient	2 Spout Tap	550 x 760 x 808
HC50CT2P280	280	Chilled, Ambient	2 Spout Tap with badge	550 x 760 x 808
HCS0T3A280	280	Chilled, Sparkling, Ambient*	3 Spout Tap	550 x 760 x 808
HCS0T3P280	280	Chilled, Sparkling, Ambient*	3 Spout Tap with badge	550 x 760 x 808
HC50BIT280	280	Chilled, Sparkling, Ambient*	Bridge Button Control	550 x 760 x 808
HC50BITU280	280	Chilled, Sparkling, Ambient*	Bridge Button Control UV	550 x 760 x 808
HCS0T2A280	280	Chilled, Sparkling	2 Spout Tap	550 x 760 x 808
HCS0T2P280	280	Chilled, Sparkling	2 Spout Tap with badge	550 x 760 x 808

Ambient describes the temperature of the water where there is no additional heating or chilling to the incoming cold water supply. You may need to run the tap for a while to get it to a suitable temperature.

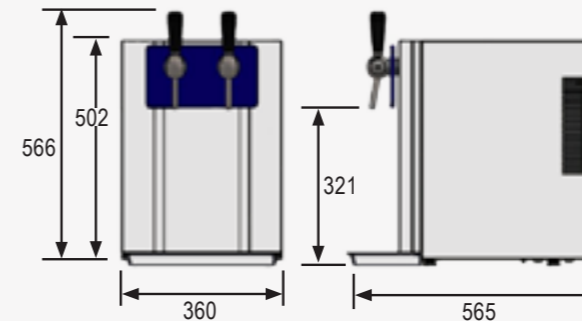
HydroChill counter-top units



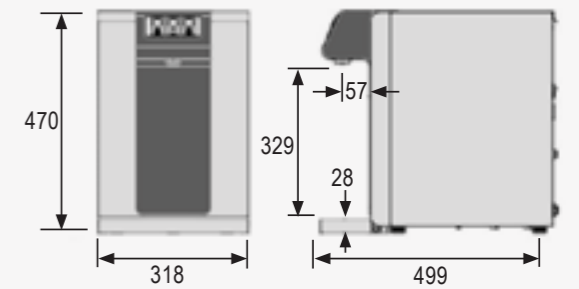
HC10 30 LITRE



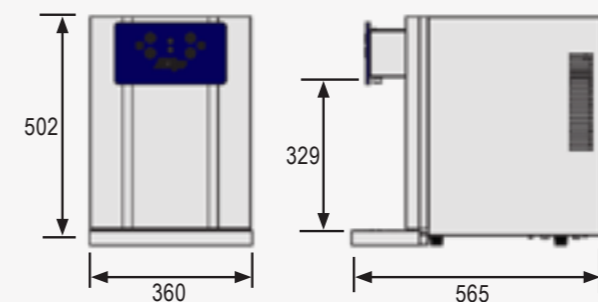
HC10 45 LITRE



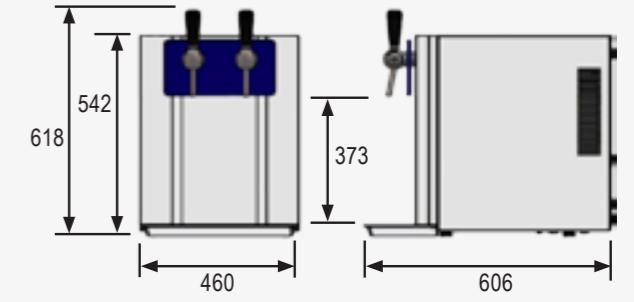
HC20T 80 LITRE



HC20T 150 LITRE

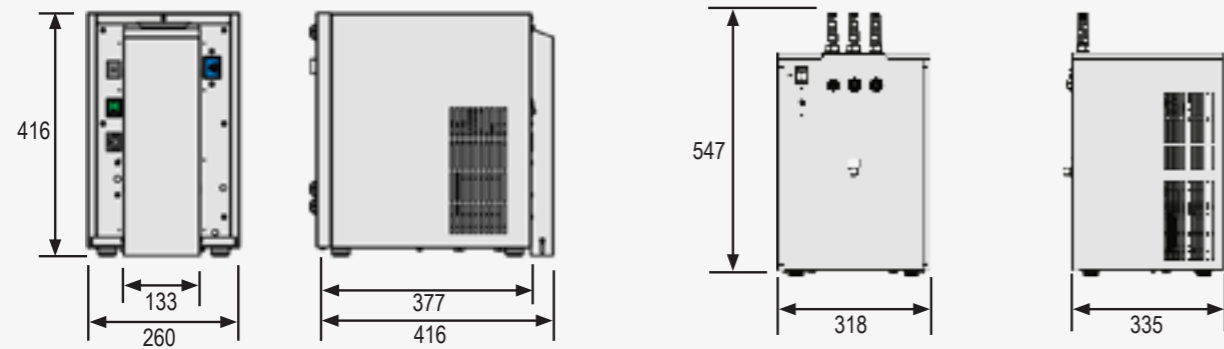


HC20IT 80 LITRE



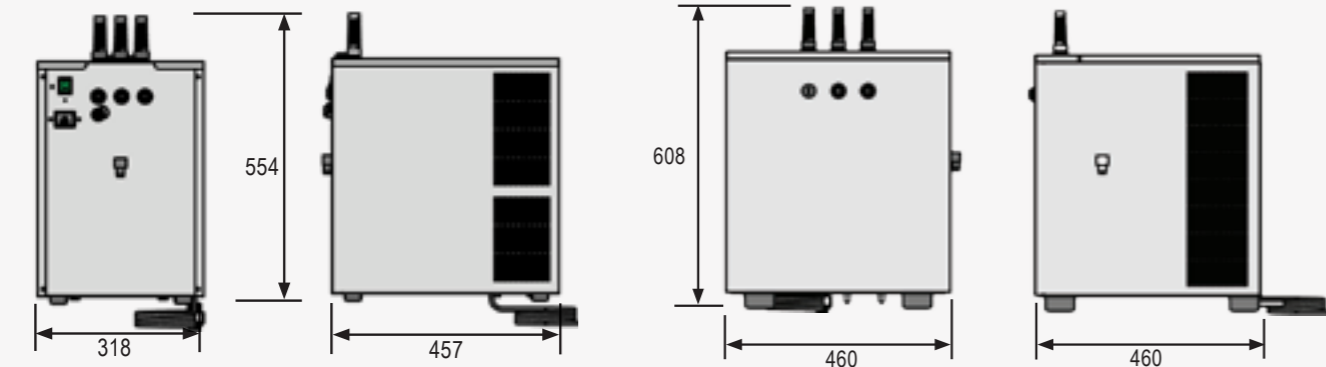
HC20IT 150 LITRE

HydroChill counter-top units



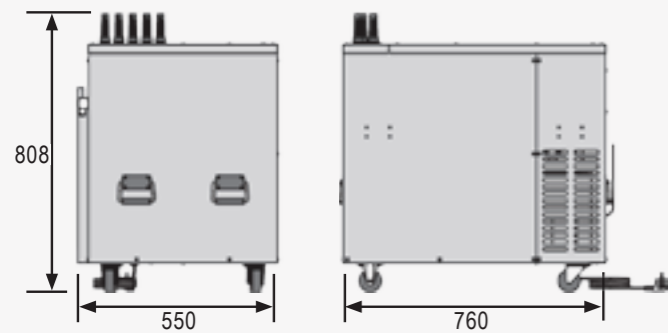
HC50 30 LITRE

HC50 60 LITRE



HC50 80 LITRE

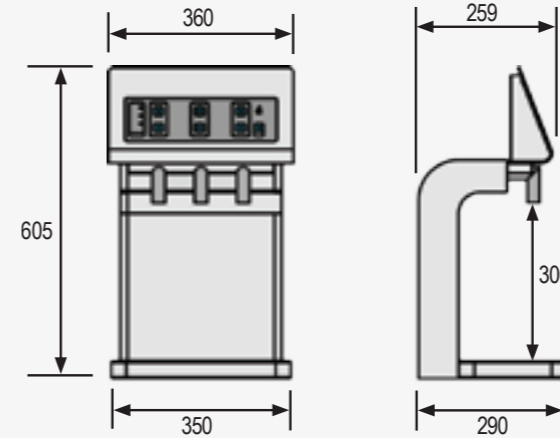
HC50 150 LITRE



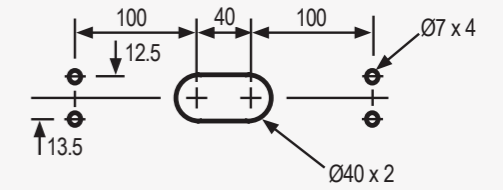
HC50 280 LITRE

HydroChill under-counter units

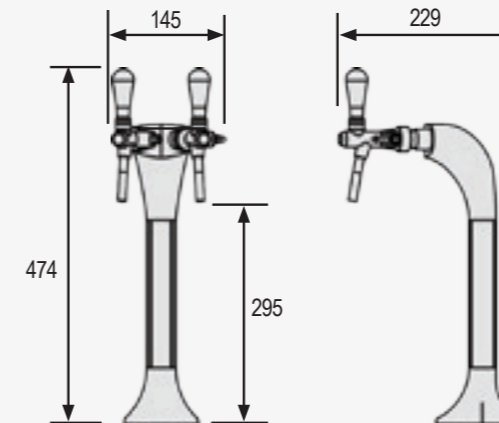
HC50 BRIDGE



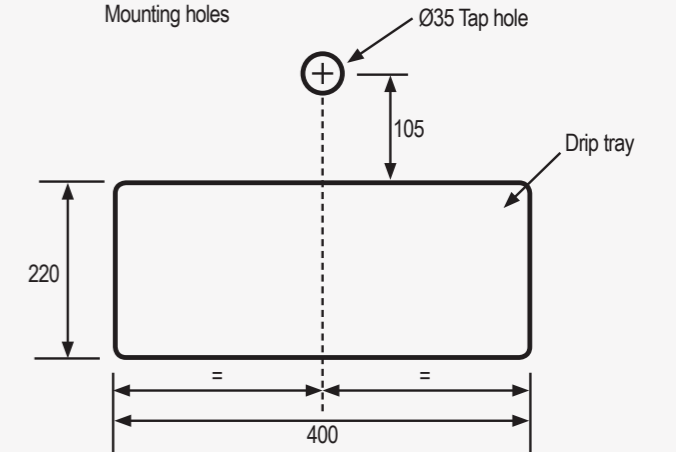
Mounting holes



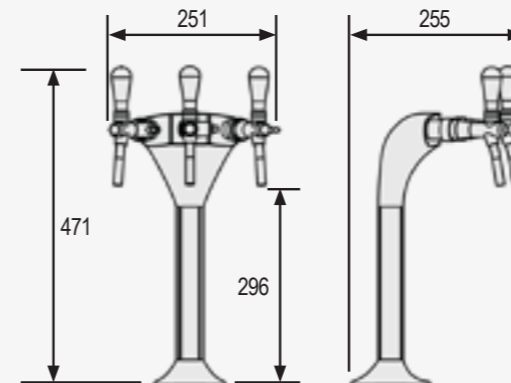
HC50 2 SPOUT



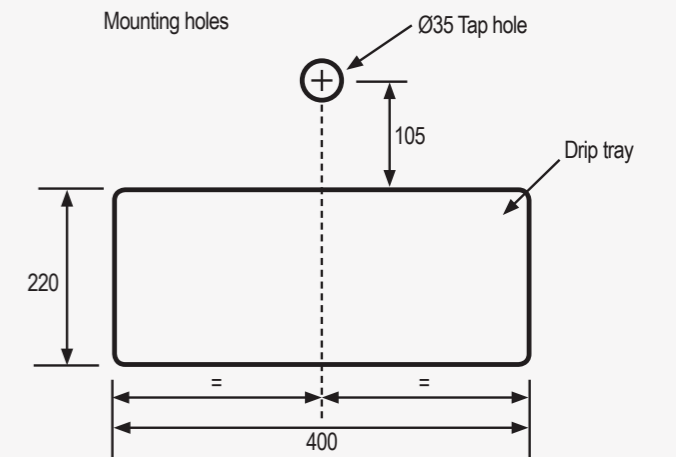
Mounting holes



HC50 3 SPOUT



Mounting holes



All dimensions in mm

Hydroboil

HYDROBOIL PLUS

CODE	TANK SIZE (LITRES)	HEAT UP TIME (INLET 15°)	HEAT UP TIME (INLET 10°)	POWER RATING KW@230V	FILLED WEIGHT (KG)	SIZE W X D X H (mm)
303562	3.0	16 mins	17 mins	220-240V, 50HZ, 1400W	12.5	289 x 180 x 431
305562	5.0	16 mins	17 mins	220-240V, 50HZ, 2200W	16.5	318 x 198 x 465
307552	7.5	23 mins	23 mins	220-240V, 50HZ, 2200W	20.5	318 x 198 x 578

HYDROBOIL

CODE	TANK SIZE (LITRES)	HEAT UP TIME (INLET 15°)	HEAT UP TIME (INLET 10°)	POWER RATING KW@230V	FILLED WEIGHT (KG)	SIZE W X D X H (mm)
301552	1.5	10 mins	11 mins	220-240V, 50HZ, 1400W	10.0	289 x 180 x 335
303552	3.0	16 mins	17 mins	220-240V, 50HZ, 1400W	12.5	289 x 180 x 431
305552	5.0	16 mins	17 mins	220-240V, 50HZ, 2200W	16.5	318 x 198 x 465
307552	7.5	23 mins	23 mins	220-240V, 50HZ, 2200W	20.5	318 x 198 x 578
310552	10	38 mins	40 mins	220-240V, 50HZ, 2800W	29.5	390 x 244 x 600
315552	15	40 mins	43 mins	220-240V, 50HZ, 2800W	34.5	390 x 299 x 600
325552	25	47 mins	50 mins	220-240V, 50HZ, 2800W	47.0	390 x 299 x 780
340552	40	47 mins	64 mins	380-415V, 2N-, 50HZ,	71.0	515 x 284 x 840

ECONOBOIL

CODE	TANK SIZE (LITRES)	HEAT UP TIME (INLET 15°)	HEAT UP TIME (INLET 10°)	POWER RATING KW@230V	FILLED WEIGHT (KG)	SIZE W X D X H (mm)
303542	3.0	16 mins	17 mins	1.5	12.5	289 x 180 x 431
305542	5.0	16 mins	17 mins	2.4	16.5	318 x 198 x 465

ChillTap and FilterTap

CHILLTAP CHILLED

CODE	CUPS PER HOUR	WATER OPTIONS	POWER RATING KW@230V	SIZE W X D X H (mm)
CH103	140	Chilled	0.45	355 x 290 x 385

CHILLTAP EXTRA CHILLED & AMBIENT*

CODE	CUPS PER HOUR	WATER OPTIONS	POWER RATING KW@230V	SIZE W X D X H (mm)
CT2/140	140	Chilled, Ambient*	0.45	353 x 291 x 385

FILTERTAP AMBIENT*

CODE	CUPS PER HOUR	WATER OPTIONS	POWER RATING KW@230V	SIZE W X D X H (mm)
CH103	140	Ambient*	0.45	355 x 290 x 385

Ambient describes the temperature of the water where there is no additional heating or chilling to the incoming cold water supply. You may need to run the tap for a while to get it to a suitable temperature.





It's water. Refreshed.

0345 6 005 005

specify.zipwater.co.uk